

CHAPTER

30

**ICE AND RAIN
PROTECTION**

CESSNA®
MODEL 208
 ILLUSTRATED PARTS CATALOG

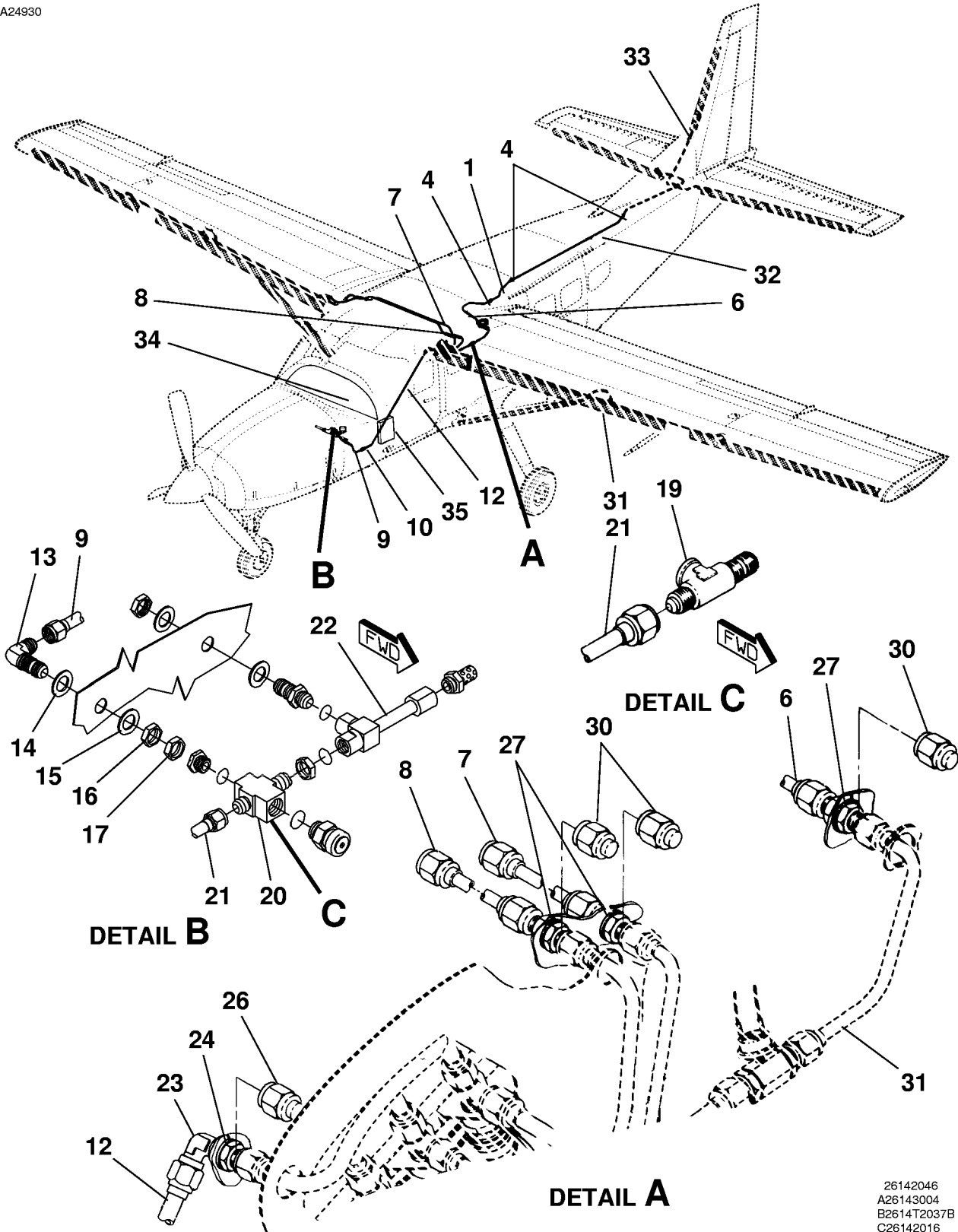
CHAPTER SECTION SUBJECT		NUMBER OF PAGES	DATE
30 - TITLE			
30 - LIST OF EFFECTIVE PAGES			
30 - RECORD OF TEMPORARY REVISIONS			
30 - TABLE OF CONTENTS			
30-10-00	Figure 01	2	Apr 1/2016
30-10-00	Figure 02	4	Mar 1/2019
30-10-00	Figure 03	2	Jun 1/2010
30-10-01	Figure 01	4	Sep 1/2019
30-10-02	Figure 01	2	Mar 1/2018
30-10-02	Figure 02	4	Sep 1/2016
30-10-02	Figure 02A	2	Dec 1/2013
30-10-02	Figure 03	2	Jun 1/2013
30-10-02	Figure 04	2	Mar 1/2018
30-10-02	Figure 05	2	Jun 1/2013
30-10-02	Figure 05A	2	Mar 1/2015
30-10-02	Figure 06	8	Jun 1/2018
30-10-02	Figure 07	8	Mar 1/2019
30-10-02	Figure 08	4	Mar 1/2020
30-10-03	Figure 01	4	Sep 1/2019
30-10-03	Figure 02	4	Sep 1/2019
30-40-00	Figure 01	4	Jun 1/2010
30-40-00	Figure 02	4	Mar 1/2020
30-40-01	Figure 01	2	Jun 1/2013
30-60-00	Figure 01	2	Jun 1/2010
30-60-00	Figure 02	2	Sep 1/2019
30-60-10	Figure 01	2	Mar 1/2015

CESSNA®
MODEL 208
 ILLUSTRATED PARTS CATALOG

<u>SUBJECT</u>	<u>CHAPTER SECTION SUBJECT</u>	<u>FIGURE</u>	<u>EFFECTIVITY</u>	
			<u>START</u>	<u>END</u>
DEICE SYSTEM	30-10-00	01	0001	0499
DEICE SYSTEM	30-10-00	02	B0001	B1999
TKS SYSTEM	30-10-00	03	B2000	& ON
DEICE COMPONENTS - WING	30-10-01	01	0001	0499
			B0001	B1999
DEICE COMPONENTS - STABILIZER	30-10-02	01	0001	0499
			B0001	B1999
TKS COMPONENTS - WING AND TAIL PANEL INSTALLATION	30-10-02	02	0505	& ON
			B2000	& ON
TKS VORTEX GENERATOR INSTALLATION	30-10-02	02A	B2000	& ON
TKS TUBE ROUTING - WINGS	30-10-02	03	0500	& ON
			B2000	& ON
TKS TUBE ROUTING - FUSELAGE	30-10-02	04	0518	& ON
			B2000	& ON
TKS FIREWALL FORWARD INSTALLATION	30-10-02	05	0505	& ON
			B2000	B4999
TKS FIREWALL FORWARD INSTALLATION	30-10-02	05A	B5000	& ON
TKS LOW PROFILE TANK INSTALLATION - 208	30-10-02	06	0500	& ON
TKS LOW PROFILE TANK INSTALLATION - 208B	30-10-02	07	B2000	& ON
TKS FLUID TANK & EQUIPMENT PACK INSTALLATION	30-10-02	08	B2000	& ON
CARGO POD AND LANDING GEAR DEICE SYSTEM	30-10-03	01	0225	& ON
CARGO POD AND LANDING GEAR DEICE SYSTEM	30-10-03	02	B0328	& ON
WINDSHIELD ANTI-ICE INSTALLATION	30-40-00	01	0001	0381
			B0001	B1087
WINDSHIELD ANTI-ICE INSTALLATION	30-40-00	02	0382	0499
			B1088	B1999
TKS WINDSHIELD SPRAYBAR INSTALLATION	30-40-01	01	0505	& ON
			B2000	& ON
PROPELLER DEICE INSTALLATION - HARTZELL	30-60-00	01	0001	0188
			B0001	B0217
PROPELLER DEICE INSTALLATION - MCCAULEY	30-60-00	02	0189	& ON
			B0218	& ON
PROPELLER TKS INSTALLATION - MCCAULEY	30-60-10	01	0505	& ON
			B1190	B1190
			B0001	B1999
			B2000	& ON

CESSNA®
MODEL 208
 ILLUSTRATED PARTS CATALOG

A24930



DEICE SYSTEM
 FIGURE 01 (SHEET 1)

26142046
 A26143004
 B2614T2037B
 C26142016

CESSNA®
MODEL 208
 ILLUSTRATED PARTS CATALOG

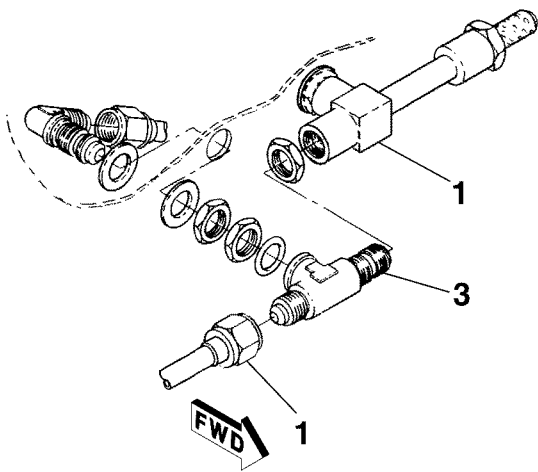
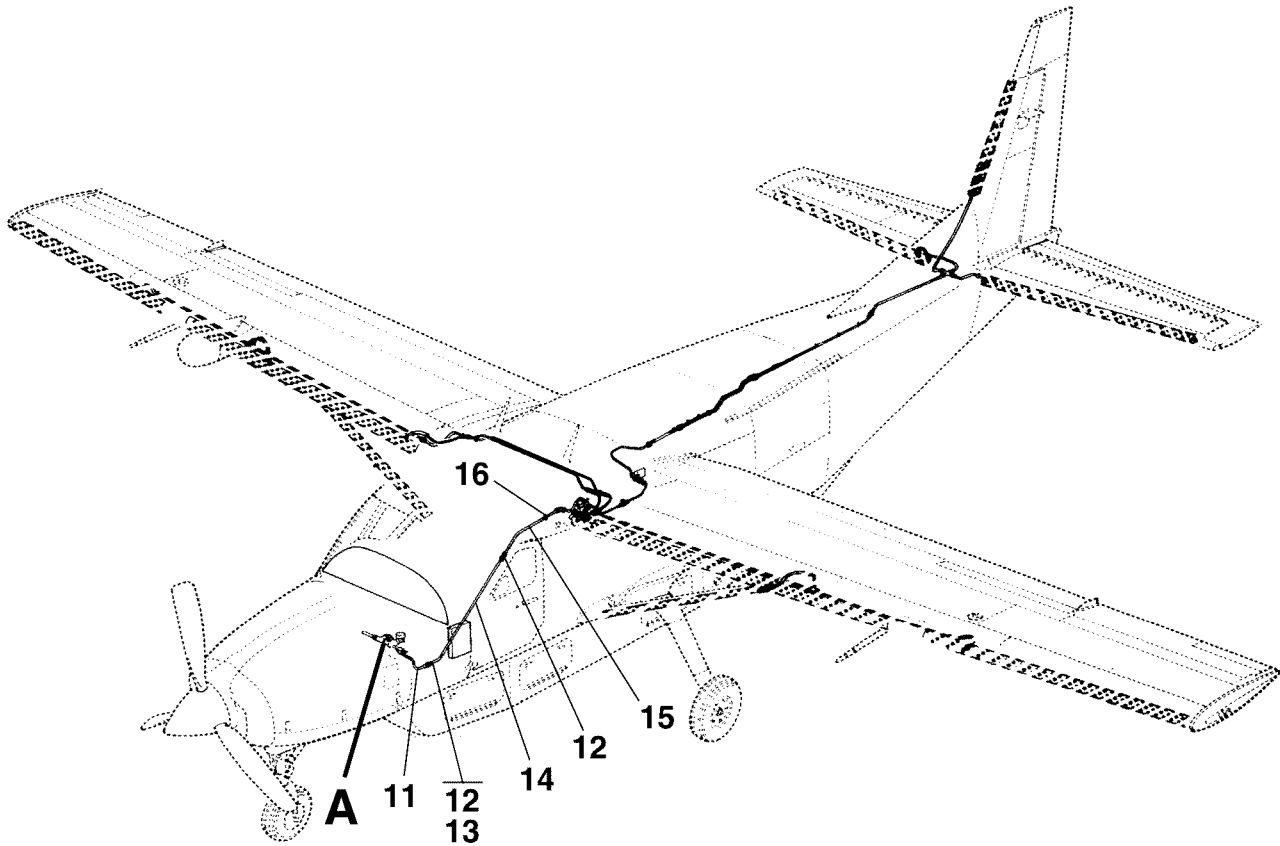
FIG ITEM	PART NUMBER	NOMENCLATURE	UNITS PER ASSY		
			1	2	3
01		DEICE SYSTEM			
-			0001	0499	RF
1	2601067-23	. LINE ASSY-CTR			01
		. ATTACHING PARTS			
- 2	S4132-1	. ANCHOR-LIGHTENING HOLE			11
- 3	S2209-1	. STA STRAP			11
		. *—			
4	AS5174D0808	. UNION			03
- 5	AN929-8W	. CAP ASSY USED WITH PARTIAL DEICE			01
6	2601067-15	. LINE ASSY-AFT WING TO UNION			01
7	2601067-10	. LINE ASSY-CROSS OVER			01
8	2601067-9	. LINE ASSY-CROSS OVER			01
9	2601067-25	. LINE ASSY-FWD			01
10	AS5174-1010	. UNION			01
- 11	AN929-10W	. CAP ASSY USED WITH PARTIAL DEICE			01
12	2601067-34	. LINE ASSY-FWD UNION TO WING			01
13	AN833-10	. ELBOW			01
14	NAS1149F1490P	. WASHER			01
15	NAS1149F1432P	. WASHER			01
16	NAS1423-14	. NUT			01
17	AS5178-10	. NUT			01 R
- 18		. DELETED-NOT USED			
19	AN783-10	. TEE REFER TO NOTE 1	0001	0143	01
20		. CROSS REFER TO 37-10-00 FIGURE 01 REFER TO NOTE 2	0144	0499	RF
21		. LINE ASSY USED WITH CARGO POD AND LANDING GEAR DE-ICE REFER TO 30-10-03 FIGURE 01	0225	0499	RF
22		. VACUUM SYSTEM REFER TO 37-10-00 FIGURE 01			RF
23	AN833-10D	. ELBOW			01
24	AS5178W10	. NUT			02
- 25	NAS1149F1432P	. WASHER			02
26	AN929-10W	. CAP ASSY USED WITH PARTIAL DEICE			01
27	AN832-8D	. UNION			05
- 28	NAS1149F1232P	. WASHER			10
- 29	AS5178W08	. NUT			05 R
30	AN929-8W	. CAP ASSY USED WITH PARTIAL DEICE			05
31		. WING DEICE COMPONENTS			RF
32	2601067-16	. LINE ASSY-AFT			01
33		. STABILIZER DEICE COMPONENTS REFER TO 30-10-02 FIGURE 01			RF
34		. SWITCH REFER TO 24-50-00 FIGURE 01			RF
35		. CIRCUIT BREAKER REFER TO 24-50-01 FIGURE 02			RF

NOTE 1—NOT INCORPORATING SK208-64 OR -65

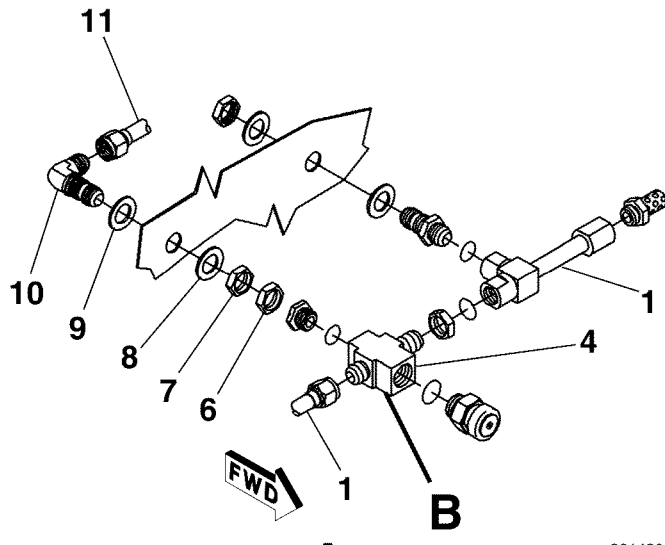
NOTE 2—AIRPLANES -0144 AND ON AND -0001 THRU -0143 INCORPORATING SK208-64 OR -65

CESSNA®
MODEL 208
 ILLUSTRATED PARTS CATALOG

A24931



DETAIL B



DETAIL A

DEICE SYSTEM
 FIGURE 02 (SHEET 1)

26142046
 A2614T2037B
 B26142016

CESSNA®
MODEL 208
ILLUSTRATED PARTS CATALOG

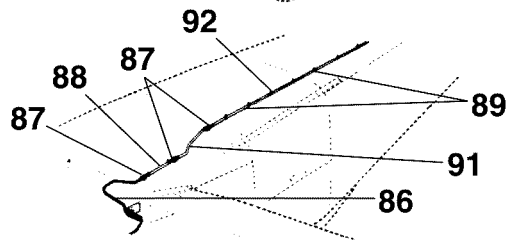
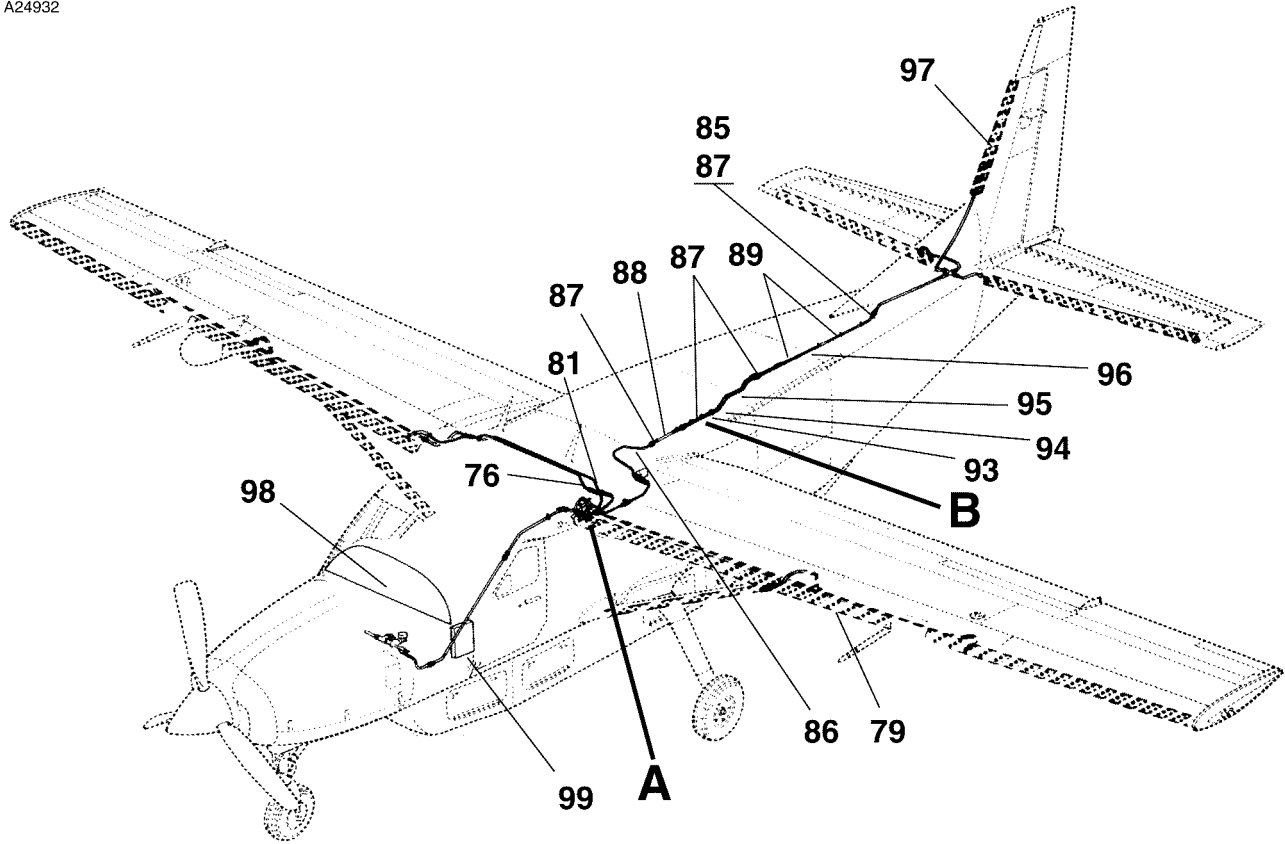
FIG ITEM	PART NUMBER	NOMENCLATURE	UNITS PER ASSY		
			1	2	3
02		DEICE SYSTEM	B0001	B1999	RF
-		. VACUUM SYSTEM REFER TO 37-10-00 FIGURE 01			RF
1		. LINE ASSY USED WITH CARGO POD AND LANDING GEAR DE-ICE	B0328	B1999	RF
- 2		. REFER TO 30-10-03 FIGURE 02			
3	AN783-10	. TEE REFER TO NOTE 1	B0001	B0143	01
4		. CROSS REFER TO 37-10-00 FIGURE 01 REFER TO NOTE 2	B0144	B1999	RF
- 5		. DELETED-NOT USED			
6	AS5178-10	. NUT			01
7	NAS1423-14	. NUT			01
8	NAS1149F1432P	. WASHER			01
9	NAS1149F1490P	. WASHER			01
10	AN833-10W	. ELBOW			01
11	2601067-25	. LINE ASSY-DE-ICE			01
12	AS5174-1010	. UNION			02
13	AN929-10W	. CAP ASSY USED WITH PARTIAL DEICE	B0214	B1999	01 R
14	2601067-34	. LINE ASSY-DEICE			01
15	2601067-28	. LINE ASSY-DEICE			01
16	S4132-2	. ANCHOR			01
- 17	MS35206-265	. SCREW			01
- 18	MS21042L3	. NUT			01
- 19	S2209-1	. STA STRAP			01

NOTE 1—NOT INCORPORATING SK208-64 OR -65

NOTE 2—AIRPLANES -B0144 AND ON AND -B0001 THRU -B0143 INCORPORATING SK208-64 OR -65

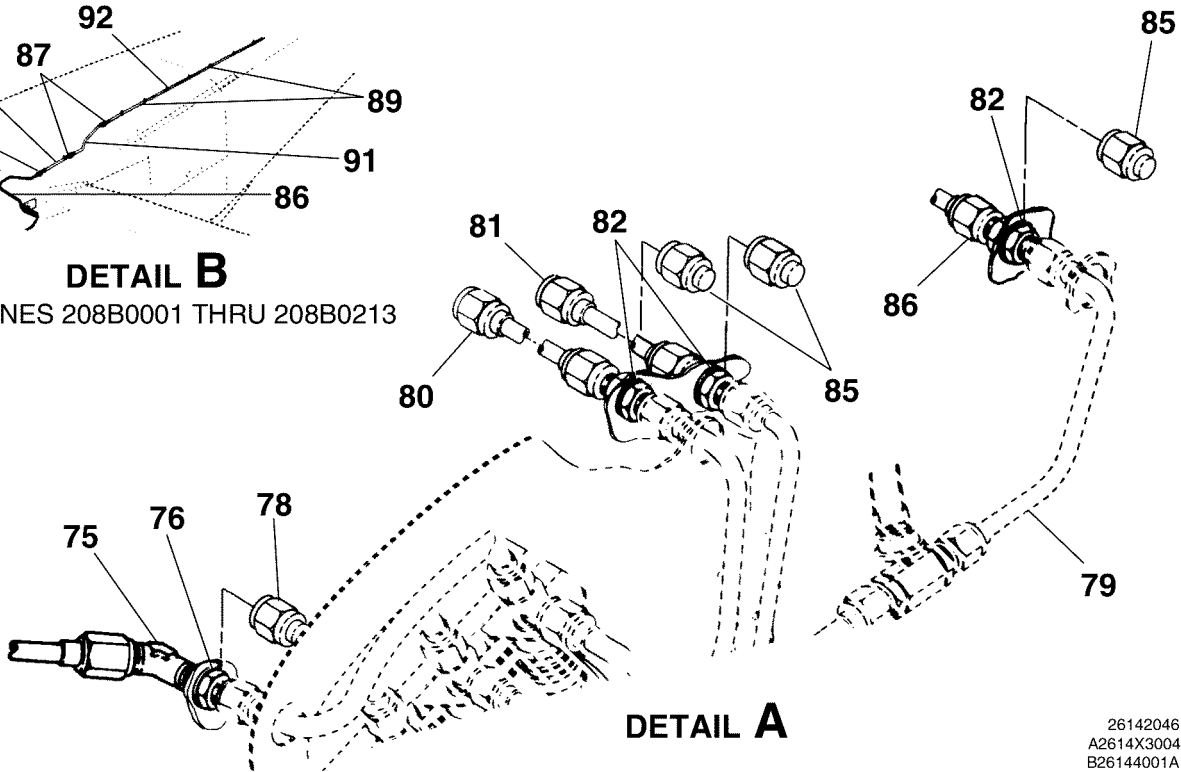
CESSNA®
MODEL 208
 ILLUSTRATED PARTS CATALOG

A24932



DETAIL B

AIRPLANES 208B0001 THRU 208B0213



DETAIL A

DEICE SYSTEM
 FIGURE 02 (SHEET 2)

26142046
 A2614X3004
 B26144001A

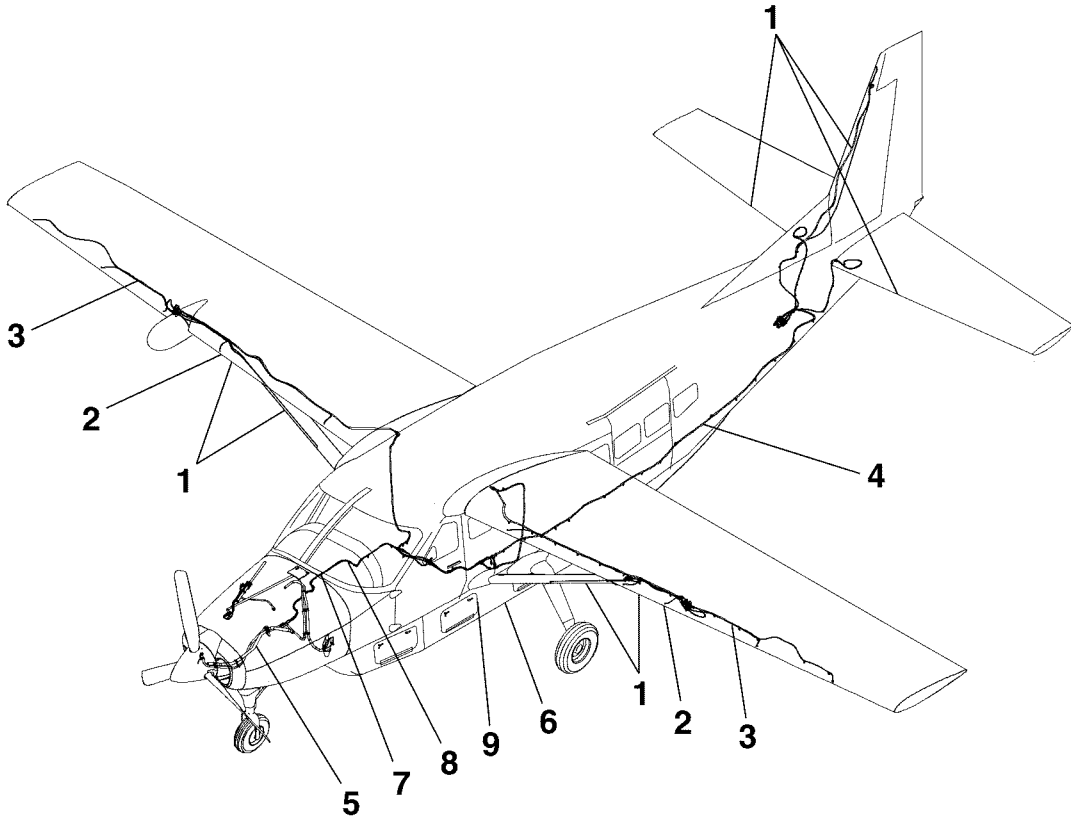
CESSNA®
MODEL 208
 ILLUSTRATED PARTS CATALOG

FIG ITEM	PART NUMBER	NOMENCLATURE	UNITS PER ASSY	
			1 2 3 4 5 6 7	
02				
75	AN837-10D	. ELBOW		01
76	AS5178W10	. NUT		01
- 77	NAS1149F1432P	. WASHER		01
78	AN929-10W	. CAP ASSY USED WITH PARTIAL DEICE	B0214	B1999 01
79		. WING DEICE COMPONENTS-REFER TO 30-10-00 FIGURE 01		RF
80	2601067-9	. LINE ASSY-CROSS OVER		01
81	2601067-10	. LINE ASSY-CROSS OVER		01
82	AN832-8D	. UNION		05
- 83	NAS1149F1232P	. WASHER		10
- 84	AS5178W08	. NUT		05
85	AN929-8W	. CAP ASSY USED WITH PARTIAL DEICE	B0214	B1999 06
86	2601067-15	. LINE ASSY-DEICE		01
87	AS5174D0808	. UNION		04
88	2601067-27	. LINE ASSY-DEICE		01
89	S4132-1	. ANCHOR		14
- 90	S2209-1	. STA STRAP		14
91	2601067-23	. LINE ASSY-DEICE	B0001	B0213 01
92	2601067-16	. LINE ASSY-DEICE	B0001	B0213 01
93	2601067-40	. LINE ASSY-DEICE	B0214	B1999 01
94	AS5174D0808	. UNION	B0214	B1999 01
95	2601067-39	. LINE ASSY-DEICE	B0214	B1999 01
96	2601067-38	. LINE ASSY-DEICE	B0214	B1999 01
97		. STABILIZER DEICE COMPONENTS REFER TO 30-10-02 FIGURE 01		RF
98		. SWITCH REFER TO 24-50-00 FIGURE 01		RF
99		. CIRCUIT BREAKER REFER TO 24-50-01 FIGURE 02		RF

- ITEM NOT ILLUSTRATED

CESSNA®
MODEL 208
ILLUSTRATED PARTS CATALOG

A72261



2614T1412

TKS SYSTEM
FIGURE 03 (SHEET 1)

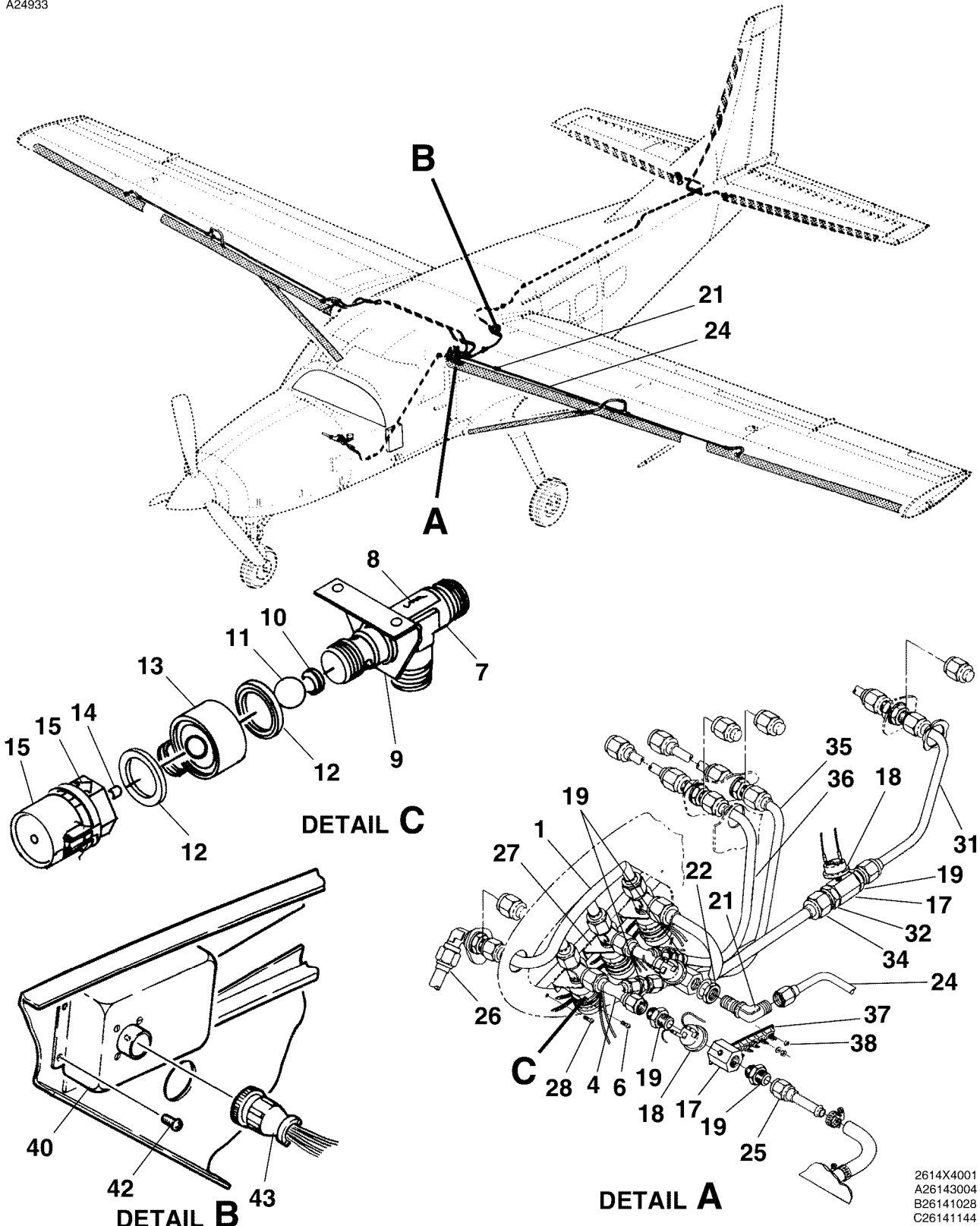
CESSNA®
MODEL 208
 ILLUSTRATED PARTS CATALOG

FIG ITEM	PART NUMBER	1 2 3 4 5 6 7	NOMENCLATURE	UNITS PER ASSY	
				B2000	& ON
03			TKS SYSTEM		
-					
1			. TKS COMPONENTS-WING AND TAIL PANEL INSTALLATION REFER TO 30-10-02 FIGURE 02		RF
2			. TKS VORTEX GENERATOR INSTALLATION REFER TO 30-10-02 FIGURE 02A		RF
3			. TKS TUBE ROUTING-WINGS REFER TO 30-10-02 FIGURE 03		RF
4			. TKS TUBE ROUTING-FUSELAGE REFER TO 30-10-02 FIGURE 04		RF
5			. TKS FIREWALL FORWARD INSTALLATION REFER TO 30-10-02 FIGURE 05		RF
6			. TKS TANK INSTALLATION REFER TO 30-10-02 FIGURE 06		RF
7			. TKS WINDSHIELD SPRAYBAR INSTALLATION REFER TO 30-40-01 FIGURE 01		RF
8			. TKS WINDSHIELD ICE DETECT LIGHT INSTALLATION REFER TO 33-10-00 FIGURE 06		RF R
9			. TKS CARGO NET INSTALLATION REFER TO 25-52-00 FIGURE 03		RF

- ITEM NOT ILLUSTRATED

CESSNA®
MODEL 208
 ILLUSTRATED PARTS CATALOG

A24933



DEICE COMPONENTS - WING
 FIGURE 01 (SHEET 1)

2614X4001
 A26143004
 B26141028
 C26141144

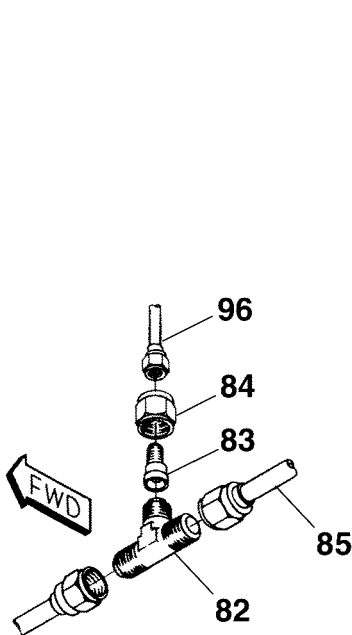
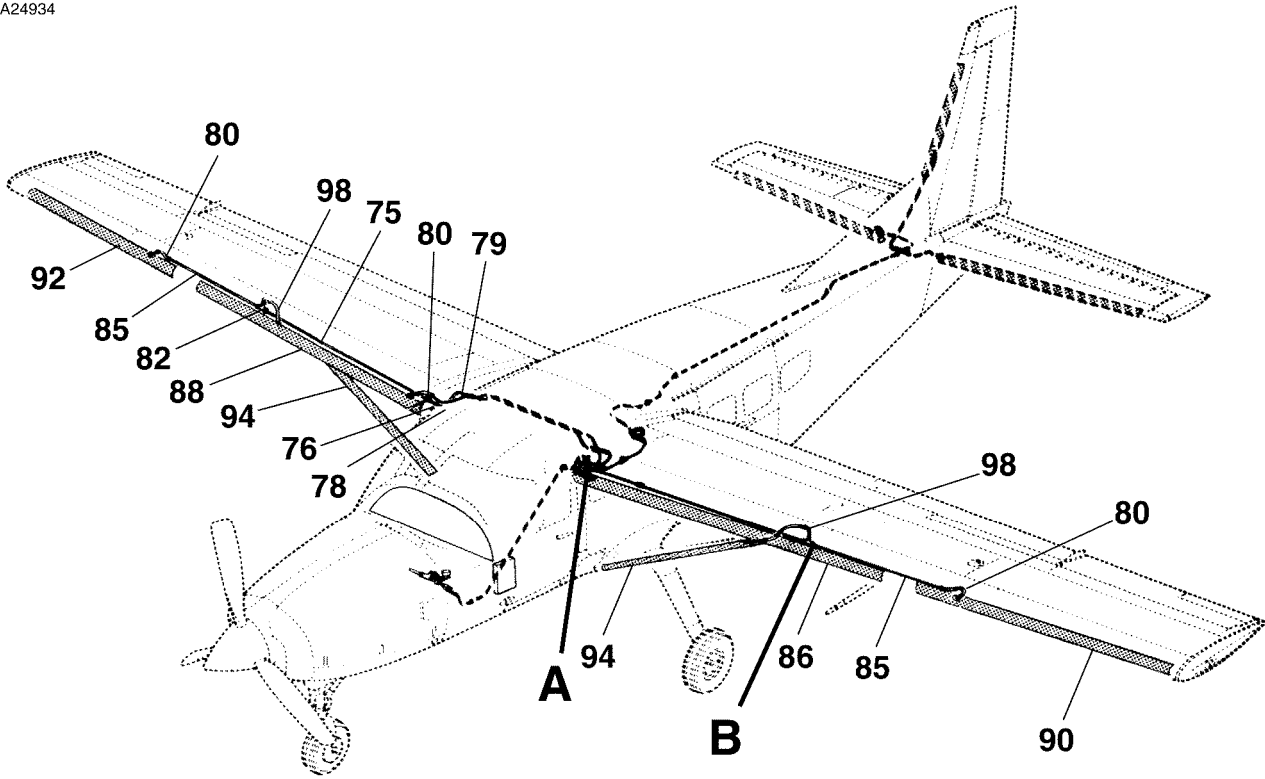
CESSNA®
MODEL 208
ILLUSTRATED PARTS CATALOG

FIG ITEM	PART NUMBER	NOMENCLATURE	UNITS PER ASSY		
			1	2	3
01		DEICE COMPONENTS - WING			
-			0001	0499	RF
			B0001	B1999	
1	2601063-1	. MANIFOLD ASSY-DEICE FSO 2601063-11	0001	0106	01
- 2	2601063-11	. MANIFOLD ASSY-DEICE	0107	0499	01
- 3	2601063-7	. MANIFOLD ASSY-DEICE	B0001	B1999	01 R
4	2601064-1	. FITTING ASSY-DEICE			02
- 5	3D2353-06	. FLOW VALVE DEICE V03481			03
		ATTACHING PARTS			
6	MS35206-262	. SCREW			02
		—*—			
7	2D1344-03	. BODY V03481			01
8	2D1450	. LABEL V03481			01
9	2D1242	. BRACKET V03481			01
10	2D1238-1	. SPRING V03481			01
11	2D1341	. BALL V03481			02
12	2D1230	. WASHER-COMPRESSION V03481			02
13	2D1233	. RESERVOIR ASSY-OVERBOARD V03481			01
14	2D1449	. PUSHROD V03481			01
15	3D2353-06	. SOLENOID V03481			01
- 16	TY524M	. TIE-CABLE V03481			01
17	2601062-1	. BLOCK-DEICE PRESSURE SWITCH			03
18	1D1470-15	. SWITCH-DEICE PRESSURE			03
19	AS5174D0808	. UNION			06
- 20	MS28778-8	. PACKING			06
21	AN833-8D	. ELBOW			01
22	AS5178W08	. NUT			01
- 23	MS28778-8	. PACKING			01
24	2601067-29	. LINE ASSY-WING DEICE LH REFER TO NOTE 1			01
25	2601067-21	. LINE ASSY-WING DEICE LH			01
26		. DEICE SYSTEM REFER TO 30-10-00 FIGURE 01			RF
27	2601065-1	. BRACKET ASSY-DEICE			01
		ATTACHING PARTS			
28	MS35206-262	. SCREW			02
		—*—			
- 29	MS21069L3	. NUTPLATE			06
- 30	MS21071L3	. NUTPLATE			02
31	2601067-33	. LINE ASSY			01
32	AS5174D1008	. REDUCER			01
- 33	MS28778-8	. PACKING			01
34	2601067-32	. LINE ASSY			01
35	2601067-31	. LINE ASSY			01
36	2601067-6	. LINE ASSY			01
37	MS27212-1-7	. TERMINAL BLOCK			01
		ATTACHING PARTS			
38	MS21044N06	. NUT			02
- 39	MS35206-215	. SCREW			02
		—*—			
40	2670060-1	. TIMER-DEICE FSO 3D2991-01	0001	0236	01
			B0001	B0378	
- 41	3D2991-01	. TIMER-DEICE V03481	0237	0499	01
			B0379	B1999	
42	MS35206-261	. SCREW			04
43	S2349-4	. PLUG-ELECTRIC			01
- 44	S2351-2	. CLAMP-CABLE			01

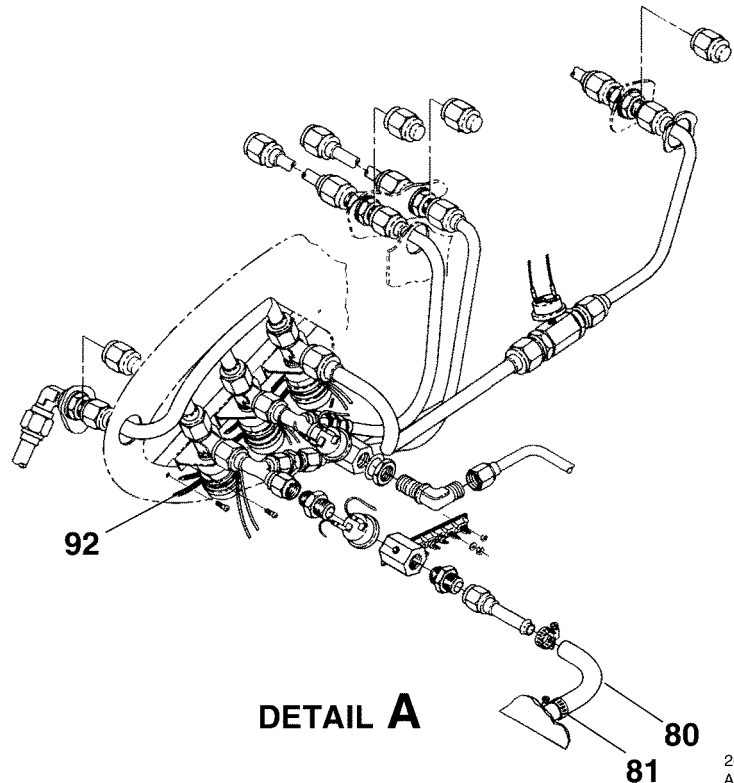
NOTE 1—WHEN INITIALLY ORDERING THIS PART FOR SPARES PRIOR TO SERIAL -0107 ALSO ORDER (1) 2601067-29 LINE & (1) AN815-8D UNION

CESSNA®
MODEL 208
 ILLUSTRATED PARTS CATALOG

A24934



DETAIL B



DETAIL A

2614X4001
 A26143004
 B26141030

DEICE COMPONENTS - WING
 FIGURE 01 (SHEET 2)

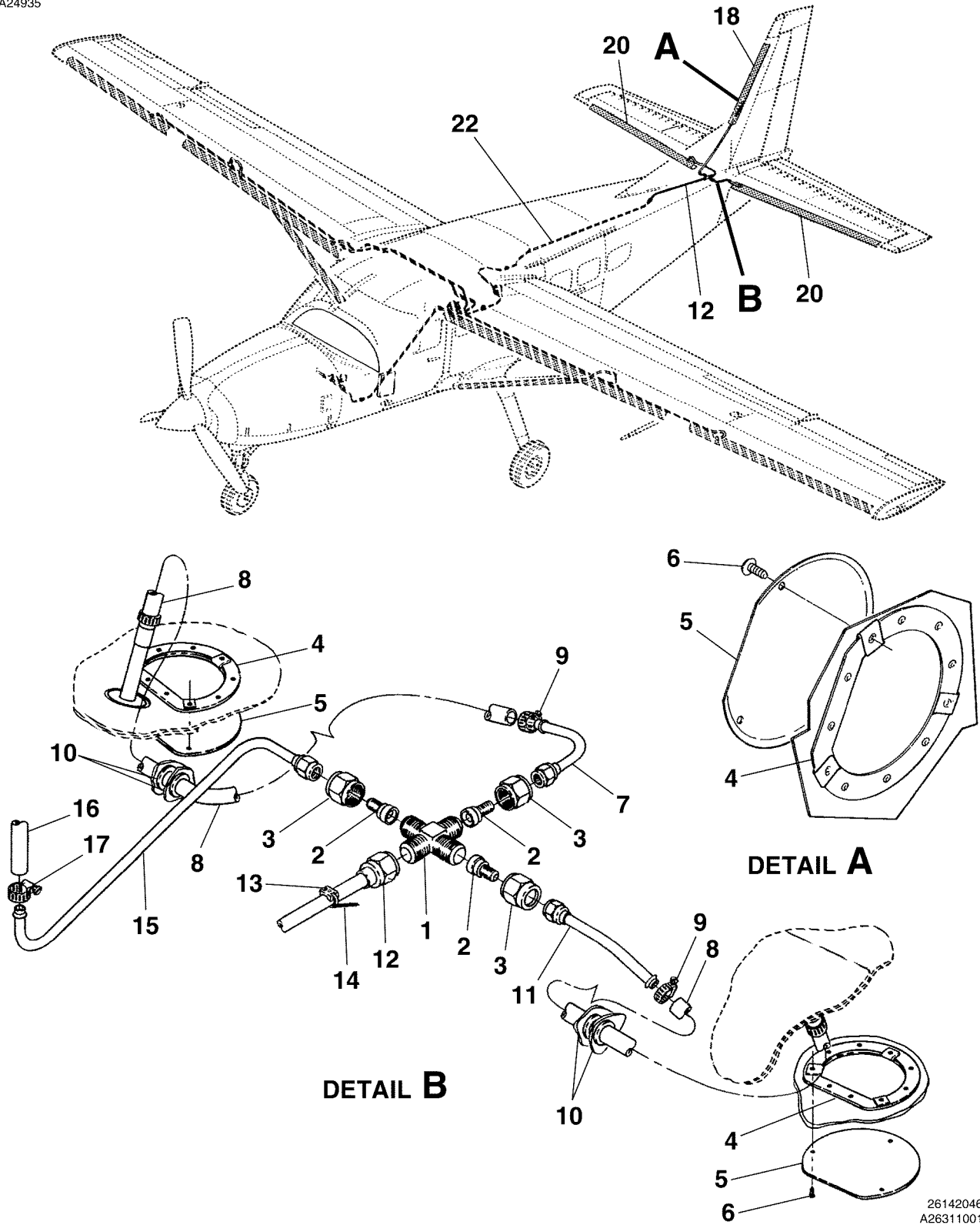
CESSNA®
MODEL 208
ILLUSTRATED PARTS CATALOG

FIG ITEM	PART NUMBER	NOMENCLATURE	1 2 3 4 5 6 7			UNITS PER ASSY
01						
75	2601067-11	. LINE ASSY-WING DEICE-RH OUTBD				01
76	AS5174D0808	. UNION				01
- 77	AN929-8W	. CAP ASSY USED WITH PARTIAL DEICE				01
78	2601067-26	. LINE ASSY-WING DEICE RH				01
79	2601067-12	. LINE ASSY-WING DEICE RH				01
80	S2632-2	. HOSE 16.00 IN LG BKI				04
- 80A	B118-7	. HOSE 16.00 IN LG BKI ALT FOR S2632-2				04
		. ATTACHING PARTS				
81	S2357-3	. CLAMP-HOSE				02
		—*—				
82	AN824-8D	. TEE				02
83	NAS1564-8D6	. REDUCER				02
84	AN818-8D	. NUT				02
85	2601067-14	. LINE ASSY-WING DEICE OUTBD				02
86	25S-7D5175-01	. DE-ICER WING LH-INBD FSO 29S7D5175-23	V03481	0001	0236	01
				B0001	B0378	
- 87	29S7D5175-23	. DE-ICER WING LH-INBD	V03481	0237	0499	01
				B0379	B1999	
- 87A	P29S-7D5175-23	. DE-ICER WING LH-INBD ALT FOR 29S7D5175-23	V0AJJ0	0237	0499	01
				B0379	B1999	
88	25S-7D5175-02	. DE-ICER WING RH-INBD FSO 29S7D5175-24	V03481	0001	0236	01
				B0001	B0378	
- 89	29S7D5175-24	. DE-ICER WING RH-INBD	V03481	0237	0499	01
				B0379	B1999	
- 89A	P29S-7D5175-24	. DE-ICER WING RH-INBD ALT FOR 29S7D5175-24	V0AJJ0	0237	0499	01
				B0379	B1999	
90	25S-7D5175-11	. DE-ICER WING LH-OUTBD FSO 29S7D5175-25	V03481	0001	0236	01
				B0001	B0378	
- 91	29S7D5175-25	. DE-ICER WING LH-OUTBD	V03481	0237	0499	01
				B0379	B1999	
- 91A	P29S-7D5175-25	. DE-ICER WING LH-OUTBD ALT FOR 29S7D5175-25	V0AJJ0	0237	0499	01
				B0379	B1999	
92	25S-7D5175-12	. DE-ICER WING RH-OUTBD FSO 29S7D5175-26	V03481	0001	0236	01
				B0001	B0378	
- 93	29S7D5175-26	. DE-ICER WING RH-OUTBD	V03481	0237	0499	01
				B0379	B1999	
- 93A	P29S-7D5175-26	. DE-ICER WING RH-OUTBD ALT FOR 29S7D5175-26	V0AJJ0	0237	0499	01
				B0379	B1999	
94	25S-7D5175-09	. DEICE BOOT-STRUT FSO 29S7D5175-31	V03481	0001	0236	02
				B0001	B0378	
- 95	29S7D5175-31	. DE-ICER STRUT	V03481	0237	0499	02
				B0379	B1999	
- 95A	P29S-7D5175-31	. DE-ICER STRUT ALT FOR 29S7D5175-31	V0AJJ0	0237	0499	02
				B0379	B1999	
96	2601067-22	. LINE ASSY				02
- 97	MS3367-1-9	. STA STRAP				03
98	S2632-1	. HOSE 36.00 IN LG BKI				02
		. ATTACHING PARTS				
- 99	S2357-3	. CLAMP-HOSE				02
		—*—				

- ITEM NOT ILLUSTRATED

CESSNA®
MODEL 208
 ILLUSTRATED PARTS CATALOG

A24935



DEICE COMPONENTS - STABILIZER
 FIGURE 01 (SHEET 1)

26142046
 A26311001
 B26143005

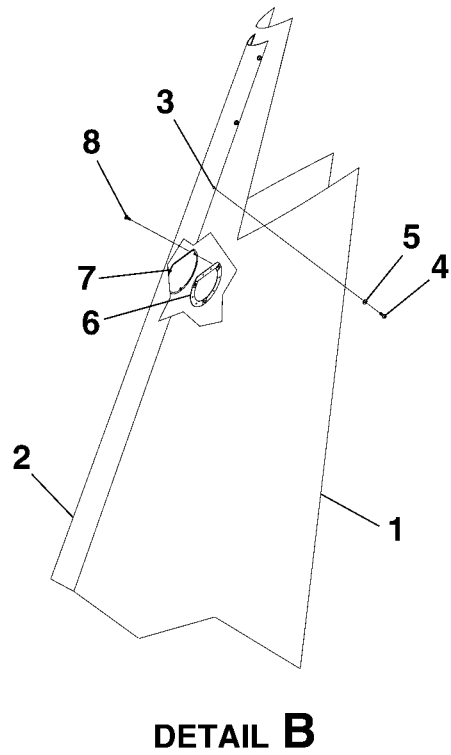
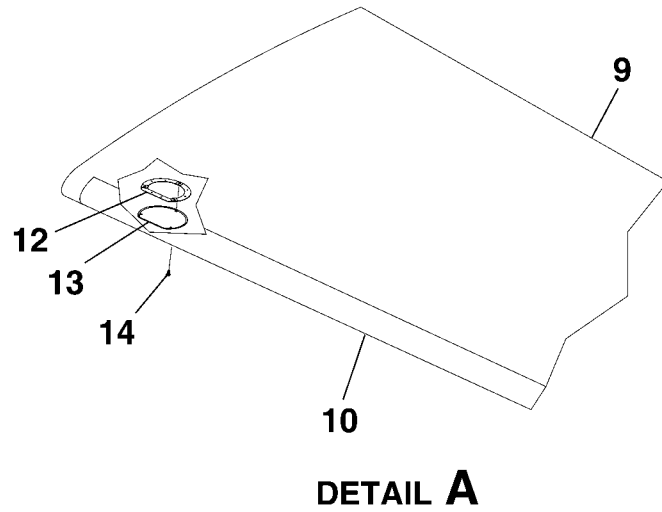
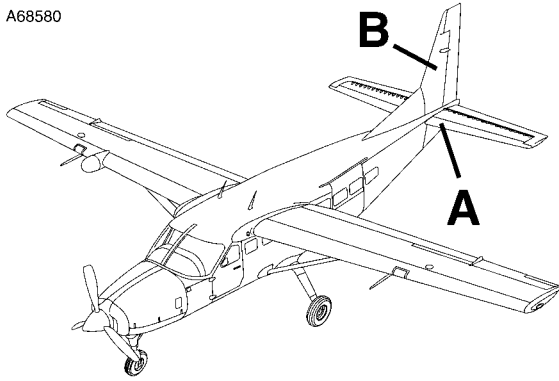
CESSNA®
MODEL 208
ILLUSTRATED PARTS CATALOG

FIG ITEM	PART NUMBER	1 2 3 4 5 6 7	NOMENCLATURE	UNITS PER ASSY		
01			DEICE COMPONENTS - STABILIZER	0001	0499	RF
-				B0001	B1999	
1	AS1036D08080808		. CROSS			01 R
2	NAS1564-8D6		. REDUCER			03
3	AN818-8D		. NUT			03
4	S1446-1S		. DOUBLER			03
5	S1447-1S		. PLATE- INSPECTION			03
			ATTACHING PARTS			
6	S1021Z6-8		. SCREW			03
			—*—			
7	2601067-20		. LINE ASSY-STABILIZER RH			01
8	S2632-1		. HOSE 20.00 IN LG BKI			02
			ATTACHING PARTS			
9	S2357-3		. CLAMP-HOSE			02
			—*—			
10	S1291-10		. GROMMET			04
11	2601067-18		. LINE ASSY-STABILIZER LH			01
12	2601067-17		. LINE ASSY-DEICE			01
			ATTACHING PARTS			
13	S1741-3		. ANCHOR-STA-STRAP			05
14	S2209-1		. STA STRAP			05
			—*—			
15	2601067-19		. LINE ASSY-VERTICAL FIN			01
16	S2632-1		. HOSE 50.00 IN LG BKI			01
			ATTACHING PARTS			
17	S2357-3		. CLAMP-HOSE			02
			—*—			
18	25S-7D5175-07		. DEICER VERTICAL FIN FSO 29S7D5175-29	V03481	0001	0236 NP
				B0001	B0378	
- 19	29S7D5175-29		. DEICER VERTICAL FIN	V03481	0237	0499 01
				B0379	B1999	
- 19A	P29S-7D5175-29		. DEICER VERTICAL FIN ALT FOR 29S7D5175-29	V0AJJ0	0237	0499 01
				B0379	B1999	
20	25S-7D5175-05		. DEICER HORIZONTAL STABILIZER FSO 29S7D5175-27	V03481	0001	0236 NP
				B0001	B0378	
- 21	29S7D5175-27		. DEICER HORIZONTAL STABILIZER	V03481	0237	0499 02
				B0379	B1999	
- 21A	P29S-7D5175-27		. DEICER HORIZONTAL STABILIZER ALT FOR 29S7D5175-29	V0AJJ0	0237	0499 02
				B0379	B1999	
22			. DEICE SYSTEM REFER TO 30-10-00 FIGURE 01			RF

- ITEM NOT ILLUSTRATED

CESSNA®
MODEL 208
ILLUSTRATED PARTS CATALOG

A68580



TKS COMPONENTS - WING AND TAIL PANEL INSTALLATION
FIGURE 02 (SHEET 1)

2610T7005
A2614T1402
B2610T7005

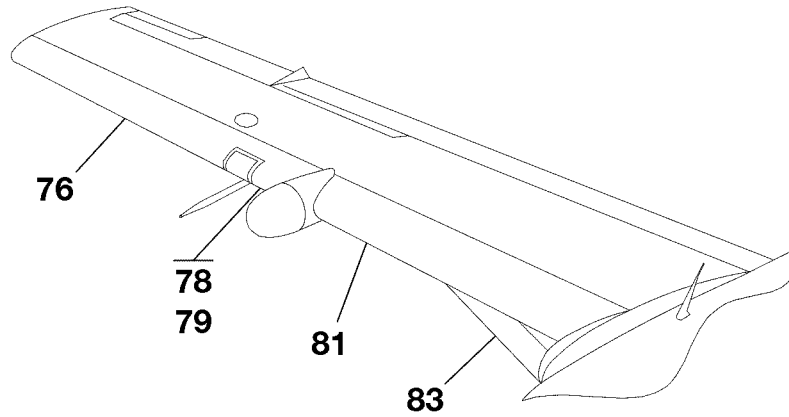
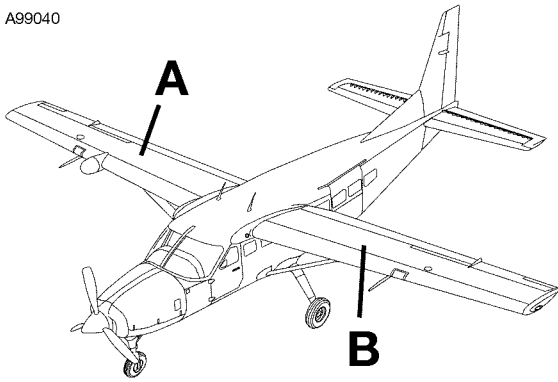
CESSNA®
MODEL 208
ILLUSTRATED PARTS CATALOG

FIG ITEM	PART NUMBER	NOMENCLATURE	UNITS PER ASSY		
			1	2	3
02		TKS COMPONENTS - WING AND TAIL PANEL INSTALLATION REFER TO NOTE	0505	& ON	RF
-		1	B2000	& ON	
1		. VERTICAL FIN ASSEMBLY REFER TO 55-30-00 FIGURE 01			RF
2	S2800-923	. POROUS PANEL VERTICAL FIN STABLIZER FSO 13102-75	B2000	B2091	NP
- 2A	13102-75	. POROUS PANEL VERTICAL FIN STABLIZER ALT FOR 13102-135 VK5788	0518	0573	01 R
			B2092	B5223	
- 2B	13102-135	. POROUS PANEL VERTICAL FIN STABLIZER ALT FOR 13102-75 VK5788	0574	& ON	01 R
			B5224	& ON	
		ATTACHING PARTS			
3	MS21047L08	. NUTPLATE			08
4	MS35206-246	. SCREW			08
5	NAS1515H08L	. WASHER			08
		—*—			
6	S1446-1S	. DOUBLER ASSY			01
7	S1447-1S	. PLATE			01
		ATTACHING PARTS			
8	S1021Z8-6	. SCREW			03
		—*—			
9		. HORIZONTAL STABILIZER REFER TO 55-10-00 FIGURE 01			RF
10	S2800-921	. POROUS PANEL-LH HORIZONTAL STABILIZER FSO 13102-73	B2000	B2091	NP R
- 10A	13102-73	. POROUS PANEL-LH HORIZONTAL STABILIZER ALT FOR 13102-133 VK5788	0518	0573	01 R
			B2092	B5223	
- 10B	13102-133	. POROUS PANEL-LH HORIZONTAL STABILIZER ALT FOR 13105-73 VK5788	0574	& ON	01 R
			B5224	& ON	
- 11	S2800-922	. POROUS PANEL-RH HORIZONTAL STABILIZER FSO 13102-74	B2000	B2091	NP R
- 11A	13102-74	. POROUS PANEL-RH HORIZONTAL STABILIZER ALT FOR 13102-134 VK5788	0518	0573	01 R
			B2092	B5223	
- 11B	13102-134	. POROUS PANEL-RH HORIZONTAL STABILIZER ALT FOR 13102-74 VK5788	0574	& ON	01 R
			B5224	& ON	
12	S1446-1S	. DOUBLER ASSY			02
13	S1447-1S	. PLATE			02
14	S1021Z8-6	. SCREW			06

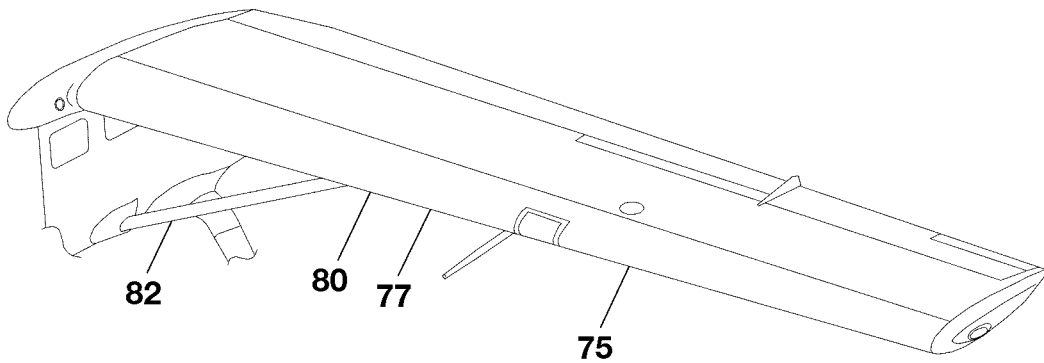
NOTE 1—THIS FIGURE CONTAINS PRODUCTION PARTS AND ASSEMBLIES INSTALLED WITH THE TKS AND/OR LOW AIRSPEED AWARENESS (LAA) SYSTEMS. TO ORDER PARTS FOR SERIAL SPECIFIC CONFIGURATIONS/INSTALLATIONS MODIFIED BY SK208-174, SK208-175, SK208-179, SK208-180, CAB09-9, AND CAB08-7, PLEASE REFER TO THE LATEST APPLICABLE REVISION OF THE SPECIFIC CARAVAN BULLETIN (CAB) AND/OR SERVICE KIT (SK) FOR DETAILED INFORMATION.

CESSNA®
MODEL 208
ILLUSTRATED PARTS CATALOG

A99040



DETAIL A



DETAIL B

TKS COMPONENTS - WING AND TAIL PANEL INSTALLATION
FIGURE 02 (SHEET 2)

2610T7005
A2614T1402
B2610T7005

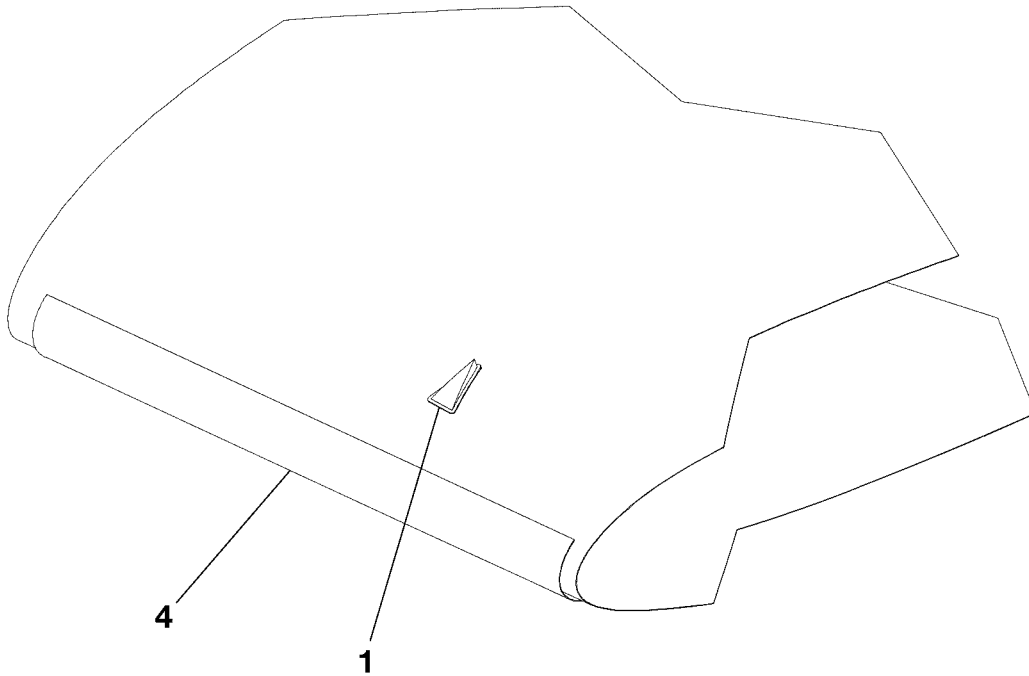
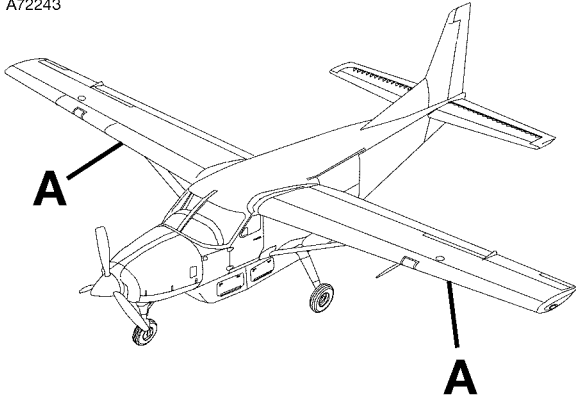
CESSNA®
MODEL 208
ILLUSTRATED PARTS CATALOG

FIG ITEM	PART NUMBER	NOMENCLATURE	UNITS PER ASSY																
			1	2	3	4	5	6	7										
02																			
75	S2800-912	. POROUS PANEL-LH OUTBOARD WING FSO 13102-61																	
- 75A	13102-61	. POROUS PANEL-LH OUTBOARD WING ALT FOR 13102-121																	
- 75B	13102-121	. POROUS PANEL-LH OUTBOARD WING ALT FOR 13102-61																	
76	S2800-913	. POROUS PANEL-RH OUTBOARD WING FSO 13102-62																	
- 76A	13102-62	. POROUS PANEL-RH OUTBOARD WING ALT FOR 13102-122																	
- 76B	13102-122	. POROUS PANEL-RH OUTBOARD WING ALT FOR 13102-62																	
77	S2800-914	. POROUS PANEL-LH CENTER WING FSO 13102-63																	
- 77A	13102-63	. POROUS PANEL-LH CENTER WING ALT FOR 13102-123																	
- 77B	13102-123	. POROUS PANEL-LH CENTER WING ALT FOR 13102-63																	
78	S2800-915	. POROUS PANEL-RH CENTER WING FSO 13102-64																	
- 78A	13102-64	. POROUS PANEL-RH CENTER WING ALT FOR 13102-124																	
- 78B	13102-124	. POROUS PANEL-RH CENTER WING ALT FOR 13102-64																	
79	S2800-916	. POROUS PANEL-RH CENTER WING WITH RADAR FSO 13102-66																	
- 79A	13102-66	. POROUS PANEL-RH CENTER WING WITH RADAR ALT 13102-126																	
- 79B	13102-126	. POROUS PANEL-RH CENTER WING WITH RADAR ALT FOR 13102-66																	
80	S2800-917	. POROUS PANEL-LH INBOARD WING FSO 13102-107																	
- 80A	13102-67	. POROUS PANEL-LH INBOARD WING SPARES ORDER 13102-107																	
- 80B	13102-107	. POROUS PANEL-LH INBOARD WING 1.2MM ALT FOR 13102-127																	
- 80C	13102-127	. POROUS PANEL-LH INBOARD WING 1.2MM ALT FOR 13102-107																	
81	S2800-918	. POROUS PANEL-RH INBOARD WING FSO 13102-108																	
- 81A	13102-68	. POROUS PANEL-RH INBOARD WING SPARES ORDER 13102-108																	
- 81B	13102-108	. POROUS PANEL-RH INBOARD WING 1.2MM ALT FOR 13102-128																	
- 81C	13102-128	. POROUS PANEL-RH INBOARD WING 1.2MM ALT FOR 13102-108																	
82	S2800-919	. POROUS PANEL-LH STRUT FSO 13102-69																	
- 82A	13102-69	. POROUS PANEL-LH STRUT ALT FOR 13102-129																	
- 82B	13102-129	. POROUS PANEL-LH STRUT ALT FOR 13102-69																	
83	S2800-920	. POROUS PANEL-RH STRUT FSO 13102-70																	
- 83A	13102-70	. POROUS PANEL-RH STRUT ALT FOR 13102-130																	
- 83B	13102-130	. POROUS PANEL-RH STRUT ALT FOR 13102-70																	

- ITEM NOT ILLUSTRATED

CESSNA®
MODEL 208
ILLUSTRATED PARTS CATALOG

A72243



DETAIL A

TKS VORTEX GENERATOR INSTALLATION
FIGURE 02A (SHEET 1)

2610T7007
A2618T1435

**CESSNA®
MODEL 208
ILLUSTRATED PARTS CATALOG**

FIG ITEM	PART NUMBER	NOMENCLATURE	UNITS PER ASSY		
			1	2	3
02A					
-		TKS VORTEX GENERATOR INSTALLATION REFER TO NOTE 1		B2000	& ON RF
1	3D5304	. VORTEX GENERATOR-TKS REFER TO NOTE 2 V0AJJ0		B2000	B4999 20 R
				B5035	& ON
- 1A	3D5304	. VORTEX GENERATOR-TKS REFER TO NOTE 3 V0AJJ0		B2089	B4999 20 R
				B5035	& ON
- 2	3D5304	. VORTEX GENERATOR-TKS-LH REFER TO NOTE 4 V0AJJ0		B2000	B2255 34 R
- 2A	3D5304	. VORTEX GENERATOR-TKS-RH REFER TO NOTE 4 V0AJJ0		B2000	B2255 37 R
- 3	3D5304	. VORTEX GENERATOR-TKS-LH REFER TO NOTE 5 V0AJJ0		B2256	B4999 34 R
- 3A	3D5304	. VORTEX GENERATOR-TKS-RH REFER TO NOTE 6 V0AJJ0		B2256	B4999 37 R
4		. TKS COMPONENTS-WING AND TAIL PANEL INSTALLATION REFER TO 30-10-02 FIGURE 02			RF

NOTE 1—THIS FIGURE CONTAINS PRODUCTION PARTS AND ASSEMBLIES INSTALLED WITH THE TKS AND/OR LOW AIRSPEED AWARENESS (LAA) SYSTEMS. TO ORDER PARTS FOR SERIAL SPECIFIC CONFIGURATIONS/INSTALLATIONS MODIFIED BY SK208-174, SK208-175, SK208-179, SK208-180, CAB09-9, AND CAB08-7, PLEASE REFER TO THE LATEST APPLICABLE REVISION OF THE SPECIFIC CARAVAN BULLETIN (CAB) AND/OR SERVICE KIT (SK) FOR DETAILED INFORMATION.

NOTE 2—FOR AIRCRAFT WITH CARGO POD TKS SYSTEM INSTALLED, WITH OR WITHOUT RADAR. R

NOTE 3—FOR AIRCRAFT WITH PARTIAL TKS SYSTEM INSTALLED, WITH OR WITHOUT RADAR. R

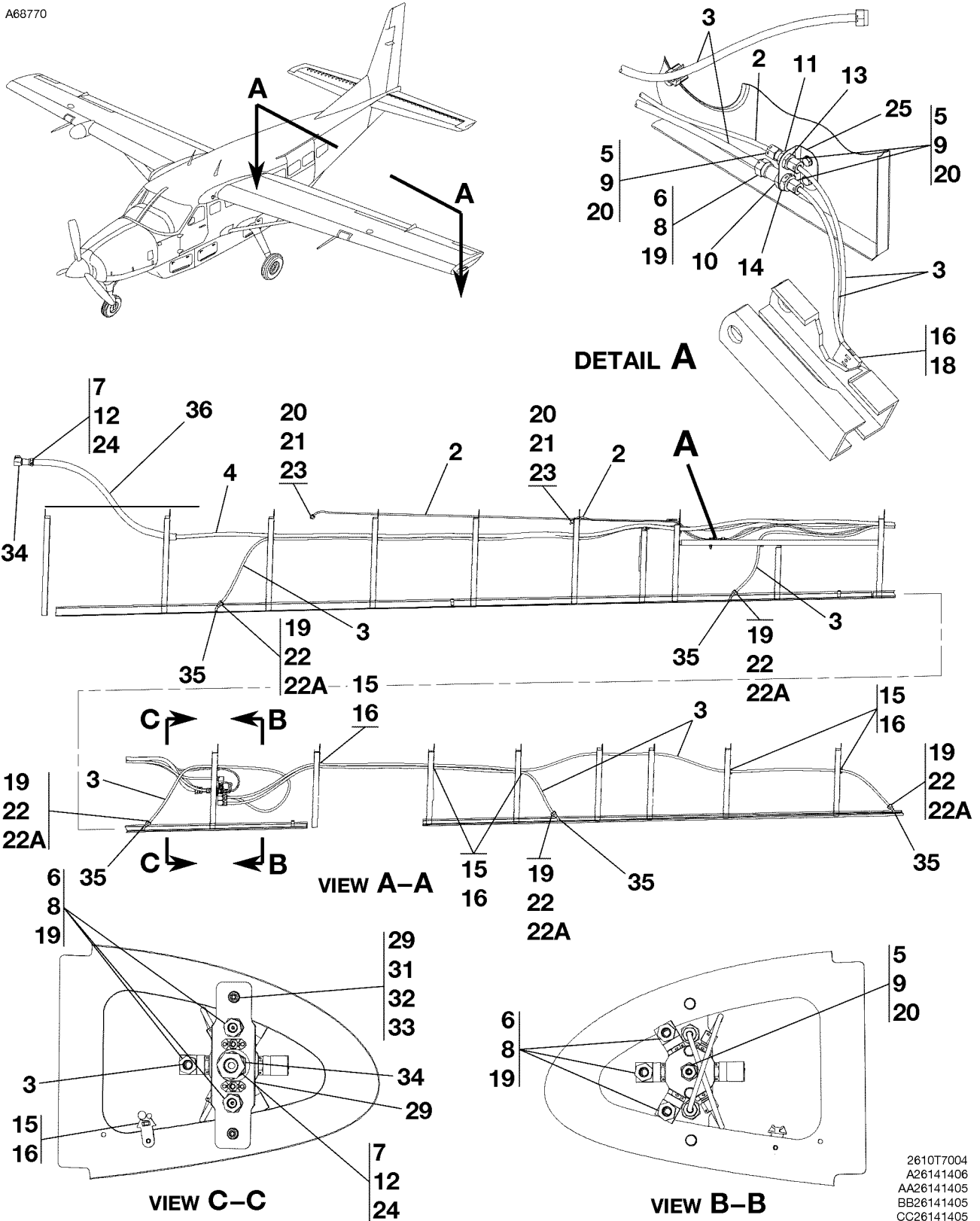
NOTE 4—FOR AIRCRAFT WITH FAIRING TKS SYSTEM INSTALLED, WITH OR WITHOUT RADAR. R

NOTE 5—FOR AIRCRAFT MODIFIED FROM PARTIAL TKS SYSTEM TO FULL TKS SYSTEM INSTALLED, WITH OR WITHOUT RADAR. R

NOTE 6—FOR AIRCRAFT MODIFIED FROM PARTIAL TKS SYSTEM TO FULL TKS SYSTEM INSTALLED, WITH RADAR. R

CESSNA®
MODEL 208
 ILLUSTRATED PARTS CATALOG

A68770



TKS TUBE ROUTING - WINGS
 FIGURE 03 (SHEET 1)

2610T7004
 A26141406
 AA26141405
 BB26141405
 CC26141405

CESSNA®
MODEL 208
 ILLUSTRATED PARTS CATALOG

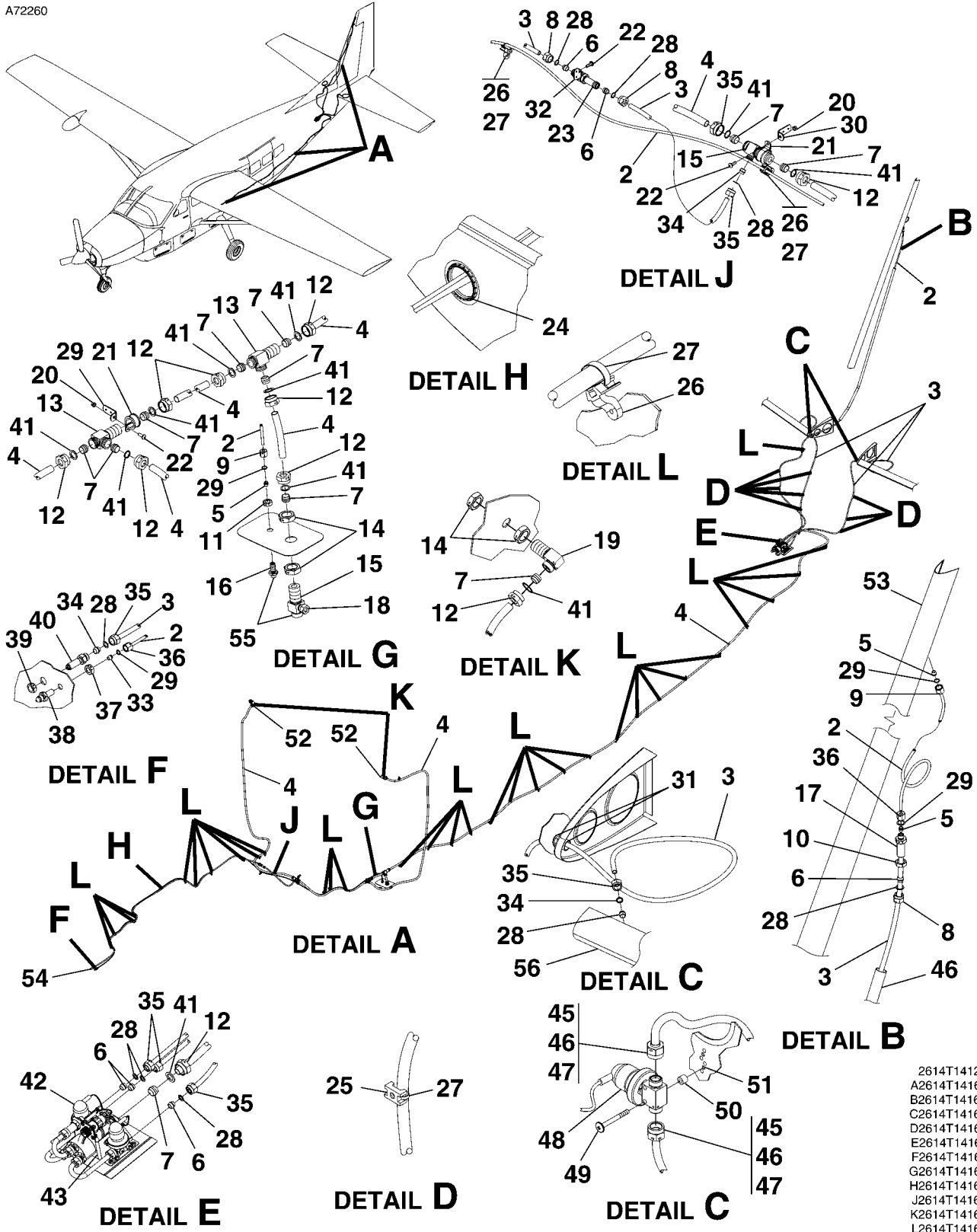
FIG ITEM	PART NUMBER	NOMENCLATURE	UNITS	
			PER ASSY	
03				
-		TKS TUBE ROUTING - WINGS REFER TO NOTE 1	0500 & ON	RF
			B2000 & ON	
- 1	2601538-1	. TUBE ROUTING-LH WING		01
- 1A	2601538-2	. TUBE ROUTING-RH WING		01
2	H610024	. . NYLON TUBING		AR
3	H610025	. . NYLON TUBING		AR
4	H610026	. . NYLON TUBING		AR
5	MN101-12	. . SLEEVE VASTL		04
6	MN101-20	. . SLEEVE VASTL		07
7	MN101-32	. . SLEEVE VASTL		02
8	MN4855	. . NUT VK5788		07
- 8A	MS21044N06	. . NUT-RH WING ONLY USED WITH RADAR		07
9	MN4856	. . NUT VK5788		04
10	MN4859	. . BACK NUT VK5788		01
11	MN6079	. . BACK NUT-1/8 BSP VK5788		01
12	MN6201	. . NUT VK5788		02
13	MN6235	. . CONNECTOR BULKHEAD-SHORT		01
14	MN6288	. . REDUCING BULKHEAD VK5788		01
15	S4132-1	. . MOUNT		15
16	S2209-1	. . TIE-LH WING		16
- 16A	S2209-1	. . TIE-RH WING USED WITH NO RADAR		16
- 16B	S2209-5	. . TIE-RH WING USED WITH RADAR		16
- 17	S2562-3	. . TUBING		AR
18	S2606-2	. . MOUNT		01
19	S2800-942	. . SEALING RING		12
- 19A	MN6227	. . CAP-STOP END PARTIAL TKS		AR
20	S2800-943	. . SEALING RING		06
- 20A	MN6230	. . CAP-STOP END PARTIAL TKS		AR
21	ZN101-12	. . OLIVE FOR 3/16 NYLON VASTL		02
22	ZN4855	. . NUT VK5788		05
22A	ZN101-20	. . SLEEVE VASTL		05
23	ZN4856	. . NUT VK5788		02
24	100-013-8810	. . SEAL VK5788		02
25	13132-01	. . BRACKET VK5788		01
		ATTACHING PARTS		
- 26	AN3-5A	. . BOLT		02
- 27	NAS1149F0332P	. . WASHER		04
- 28	MS21044N3	. . NUT		02
		—*—		
29	13132-07	. . PROPORTIONING UNIT LH VK5788		01
- 30	13132-08	. . PROPORTIONING UNIT RH VK5788		01
		ATTACHING PARTS		
31	AN3-3A	. . BOLT		02
32	NAS1149F0332P	. . WASHER		04
33	MS21044N3	. . NUT		02
		—*—		
34		. TKS TUBE ROUTING-FUSELAGE REFER TO 30-10-02 FIGURE 04		RF
35		. TKS COMPONENTS-WING AND TAIL PANEL INSTALLATION REFER TO 30-10-02 FIGURE 02		RF
36	S2562-3	. TUBING BKI		AR

NOTE 1—THIS FIGURE CONTAINS PRODUCTION PARTS AND ASSEMBLIES INSTALLED WITH THE TKS AND/OR LOW AIRSPEED AWARENESS (LAA) SYSTEMS. TO ORDER PARTS FOR SERIAL SPECIFIC CONFIGURATIONS/INSTALLATIONS MODIFIED BY SK208-174, SK208-175, SK208-179, SK208-180, CAB09-9, AND CAB08-7, PLEASE REFER TO THE LATEST APPLICABLE REVISION OF THE SPECIFIC CARAVAN BULLETIN (CAB) AND/OR SERVICE KIT (SK) FOR DETAILED INFORMATION.

R

CESSNA®
MODEL 208
 ILLUSTRATED PARTS CATALOG

A72260



- 2614T1412
- A2614T1416
- B2614T1416
- C2614T1416
- D2614T1416
- E2614T1416
- F2614T1416
- G2614T1416
- H2614T1416
- J2614T1416
- K2614T1416
- L2614T1416

TKS TUBE ROUTING - FUSELAGE
 FIGURE 04 (SHEET 1)

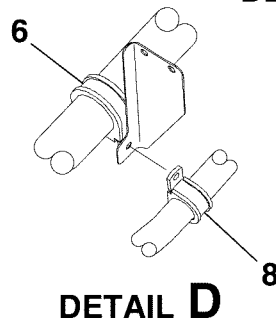
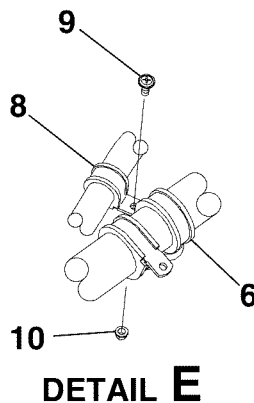
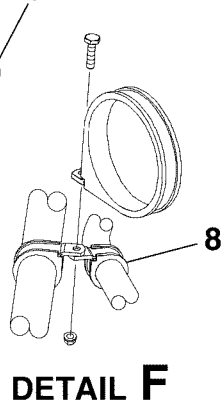
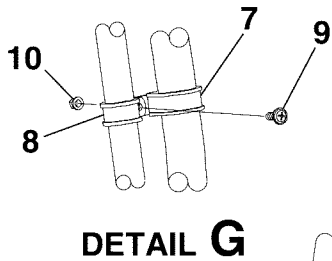
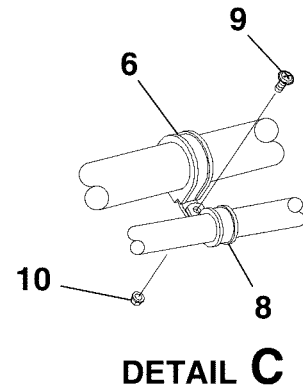
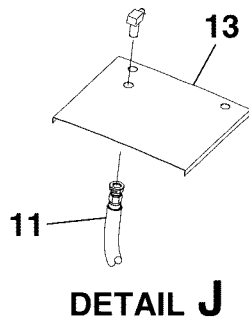
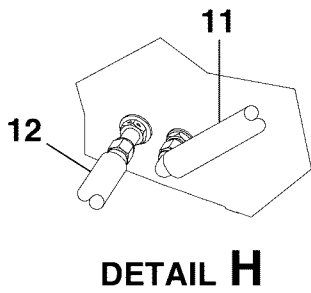
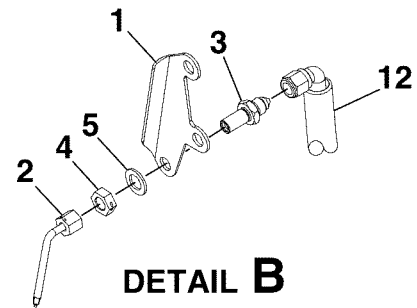
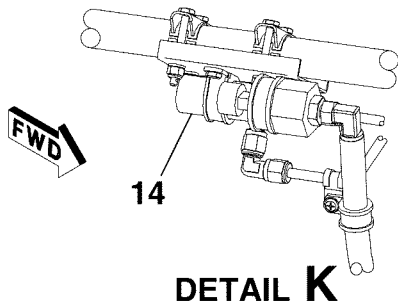
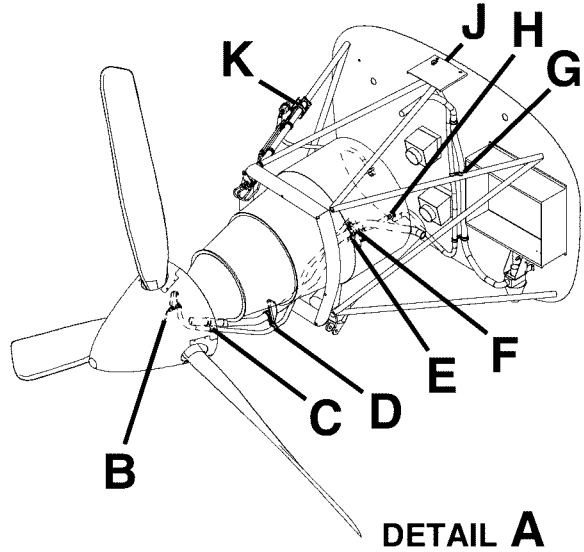
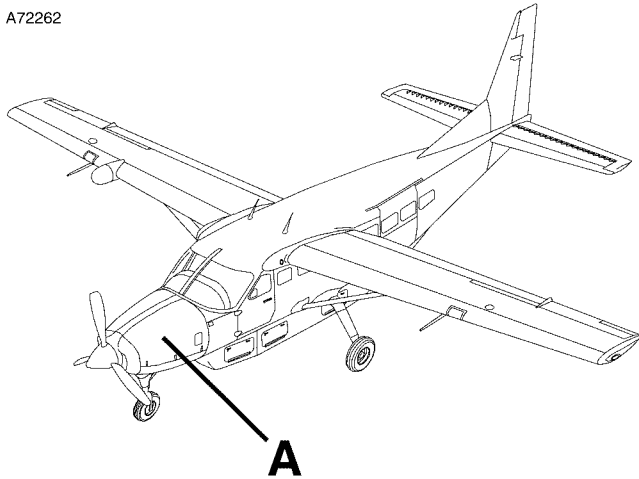
CESSNA®
MODEL 208
ILLUSTRATED PARTS CATALOG

FIG ITEM	PART NUMBER	NOMENCLATURE	UNITS PER ASSY	
			1 2 3 4 5 6 7	
04		TKS TUBE ROUTING - FUSELAGE REFER TO NOTE 1	0518	& ON RF
-			B2000	& ON
- 1		. DELETED-NOT USED		
2	H610024	. NYLON TUBING		AR
3	H610025	. NYLON TUBING		AR
4	H610026	. NYLON TUBING		AR
5	MN101-12	. SLEEVE VASTL		02
6	MN101-20	. SLEEVE VASTL		07
7	MN101-32	. SLEEVE VASTL		12
8	MN4855	. NUT VK5788		07
9	MN4856	. NUT VK5788		02
10	MN4859	. BACK NUT VK5788		01
11	MN6079	. BACK NUT 1/8 BSP VK5788		01
12	MN6201	. NUT VK5788		12
13	MN6210	. BULKHEAD EQUAL TEE VASTL		02
14	MN6211	. BACKNUT VK5788		06
15	MN6216	. BULKHEAD UNEQUAL TEE VASTL		02
16	MN6235	. CONNECTOR BULKHEAD SHORT VK5788		01
17	MN6288	. REDUCING BULKHEAD VASTL		01
18	MN6782	. 5/16 BLANKING CAP ASSY VASTL		01
19	MN6835	. ELBOW, BULKHEAD 1/2" VK5788		02
20	MS21042-3	. NUT		02
21	MS21919WDG13	. CLAMP		02
22	MS27039-1-08	. SCREW		03
23	PU320AC160	. PROPORTIONING UNIT VK5788		01
24	S1050-3	. GROMMET	B2000	B2192 AR
- 24A	S1050-1	. GROMMET	0518	& ON AR
			B2193	& ON
25	S1741-1	. ANCHOR		08
26	S4132-1	. ANCHOR		38
27	S2209-1	. TIE		46
28	S2800-942	. SEALING RING		10
- 28A	MN6227	. CAP-STOP END PARTIAL TKS		AR
29	S2800-943	. SEALING RING		04
- 29A	MN6230	. CAP-STOP END PARTIAL TKS		AR
30	S3001-13	. BRACKET		02
31	S3134-47	. FERRULE		04
32	TA02D713D08EP	. CLAMP V84971		01
33	ZN101-12	. OLIVE FOR 3/16 NYLON VASTL		02
34	ZN101-20	. SLEEVE VASTL		03
35	ZN4855	. NUT VK5788		03
36	ZN4856	. NUT VK5788		02
37	ZN6079	. NUT VK5788		01
38	ZN6261	. FITTING VK5788		01
39	ZN6756	. BACKNUT VASTL		01
40	ZN6829	. FITTING VASTL		01
41	100-013-8810	. SEAL VK5788		12
- 41A	MN6780	. CAP-STOP END PARTIAL TKS		AR
42	13132-02	. PROPORTIONING UNIT-BRACKET ASSY VK5788	B2000	B2088 01 R
- 42A	13132-13	. PROPORTIONING UNIT-BRACKET ASSY VK5788	B2089	& ON 01 R
43	13132-03	. TAIL BRACKET ASSY VK5788		01 R
- 44	13146-04	. WIRE HARNESS-LOW PRESS SWITCH VK5788		01
45	MN4855	. NUT VK5788		04
46	MN101-20	. SLEEVE VASTL		04
47	S2800-942	. SEALING RING		04
48	P041LH2015	. PRESSURE SWITCH VK5788		02
		ATTACHING PARTS		
49	MS27039-0824	. SCREW		04
50	NAS43DD3-31FC	. SPACER		04
51		. NUTPLATE REFER TO 53-14-00 FIGURE 02		RF
		—*—		
52		. TKS TUBE ROUTING-WINGS REFER TO 30-10-02 FIGURE 03		RF
53		. VERTICAL FIN INSTALLATION REFER TO 55-30-00 FIGURE 01		RF
54		. TKS FORWARD FIREWALL INSTALLATION REFER TO 30-10-02 FIGURE 05		RF
55		. TKS TANK INSTALLATION REFER TO 30-10-02 FIGURE 06		RF
56		. TKS COMPONENTS - WING AND TAIL PANEL INSTALLATION REFER TO 30-10-02 FIGURE 02		RF R

NOTE 1—THIS FIGURE CONTAINS PRODUCTION PARTS AND ASSEMBLIES INSTALLED WITH THE TKS AND/OR LOW AIRSPEED AWARENESS (LAA) SYSTEMS. TO ORDER PARTS FOR SERIAL SPECIFIC CONFIGURATIONS/INSTALLATIONS MODIFIED BY SK208-174, SK208-175, SK208-179, SK208-180, CAB09-9, AND CAB08-7, PLEASE REFER TO THE LATEST APPLICABLE REVISION OF THE SPECIFIC CARAVAN BULLETIN (CAB) AND/OR SERVICE KIT (SK) FOR DETAILED INFORMATION.

CESSNA®
MODEL 208
 ILLUSTRATED PARTS CATALOG

A72262



- 2610T7004
- A2650T1010
- B2650T1010
- C2650T1010
- D2650T1010
- E2650T1010
- F2650T1010
- G2650T1010
- H2650T1010
- J2650T1010
- K2650T1010

TKS FIREWALL FORWARD INSTALLATION
 FIGURE 05 (SHEET 1)

CESSNA®
MODEL 208
ILLUSTRATED PARTS CATALOG

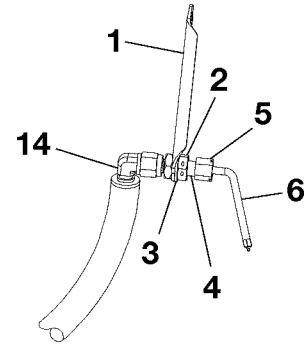
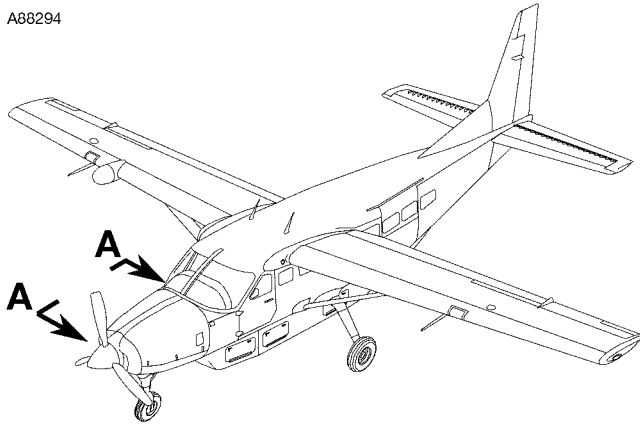
FIG ITEM	PART NUMBER	NOMENCLATURE	UNITS PER ASSY	
			1 2 3 4 5 6 7	
05		TKS FIREWALL FORWARD INSTALLATION REFER TO NOTE 1		
-			0505 & ON B2000 B4999	RF R
1	13125-02	. BRACKET-TKS FWD VK5788		01
2	13125-04	. PROP NOZZLE VK5788		01
- 2A	ZN4856	. NUT VK5788		01
3	ZN6261	. FITTING VK5788		01
4	ZN6079	. NUT VK5788		01
5	NAS1149F0763P	. WASHER		01
6	MS21919WDG17	. CLAMP		02
7	MS21919WDG14	. CLAMP		02
8	MS21919WDG12	. CLAMP		06
9	AN525-10R8	. SCREW		04
10	MS21042-3	. NUT		04
- 10A	NAS1291X3	. NUT ALT FOR MS21042-3		04
11	624023-4-0606	. HOSE ASSY V00624		01
12	624023-4-0906	. HOSE ASSY V00624		01
13		. UPPER COWLS AND DOORS INSTALLATION REFER TO 71-10-00 FIGURE 01		RF
14		. TORQUE AND OIL TRANSDUCER REFER TO 77-12-00 FIGURE 03		RF

NOTE 1—THIS FIGURE CONTAINS PRODUCTION PARTS AND ASSEMBLIES INSTALLED WITH THE TKS AND/OR LOW AIRSPEED AWARENESS (LAA) SYSTEMS. TO ORDER PARTS FOR SERIAL SPECIFIC CONFIGURATIONS/INSTALLATIONS MODIFIED BY SK208-174, SK208-175, SK208-179, SK208-180, CAB09-9, AND CAB08-7, PLEASE REFER TO THE LATEST APPLICABLE REVISION OF THE SPECIFIC CARAVAN BULLETIN (CAB) AND/OR SERVICE KIT (SK) FOR DETAILED INFORMATION.

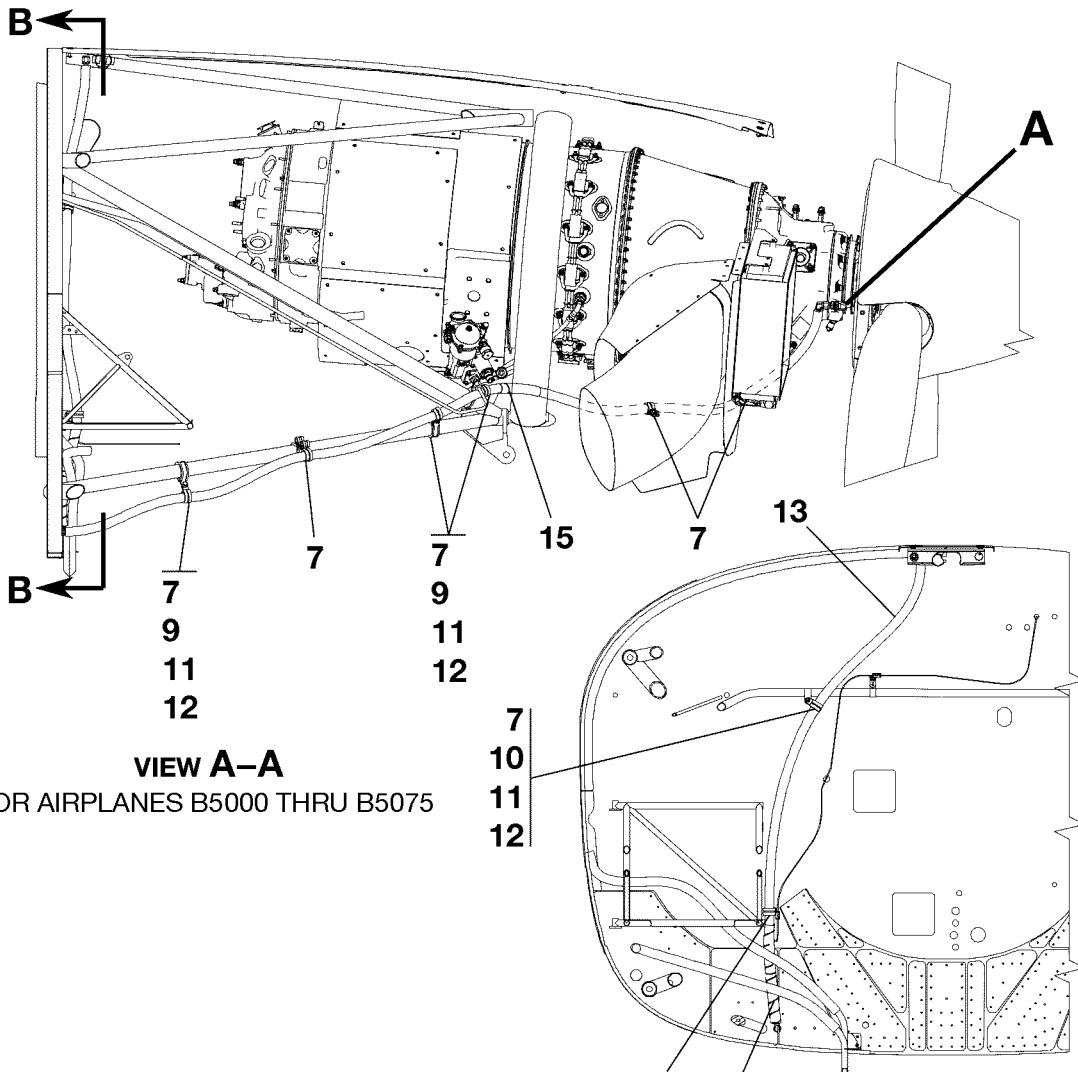
R

CESSNA®
MODEL 208
 ILLUSTRATED PARTS CATALOG

A68294



DETAIL A



VIEW A-A
 FOR AIRPLANES B5000 THRU B5075

VIEW B-B
 FOR AIRPLANES B5076 AND ON

2610T7004
 A2614T1468
 AA2614T1468
 BB2614T1468

TKS FIREWALL FORWARD INSTALLATION
 FIGURE 05A (SHEET 1)

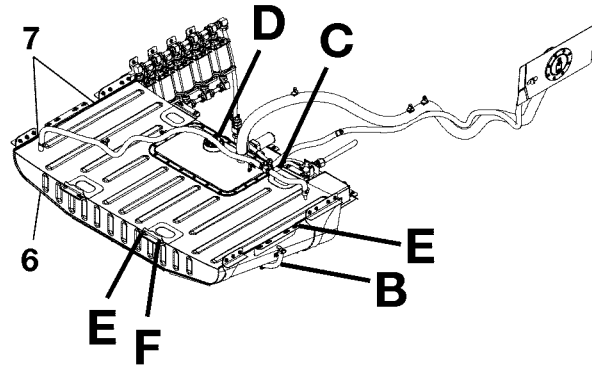
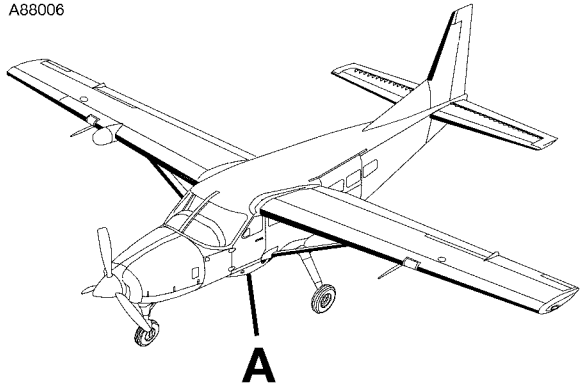
CESSNA®
MODEL 208
 ILLUSTRATED PARTS CATALOG

FIG ITEM	PART NUMBER	NOMENCLATURE							UNITS PER ASSY		
		1	2	3	4	5	6	7			
05A		TKS FIREWALL FORWARD INSTALLATION							B5000	& ON	RF
-											
1	13125-02	. BRACKET							VK5788		01
2	ZN6079	. NUT							VK5788		01
3	NAS1149F0763P	. WASHER									01
4	ZN6261	. FITTING							VK5788		01
5	ZN4856	. NUT							VK5788		01
6	13125-04	. PROP NOZZLE							VK5788		01
7	MS21919WCJ12	. CLAMP									08
- 8	MS21919WCJ20	. CLAMP									01
9	MS21919WCJ18	. CLAMP									02
10	MS9024-09	. CLAMP									01
11	AN3-3A	. BOLT									08
12	MS21042-3	. NUT									04
- 12A	NAS1291X3	. NUT-ALT FOR MS21042-3									04
13	624023-4-0454	. HOSE ASSY							V00624		01
14	624023-4-0792	. HOSE ASSY							V00624		01
15	P990105	. SPIRAL WRAP							V6Y609	B5076 & ON	AR R

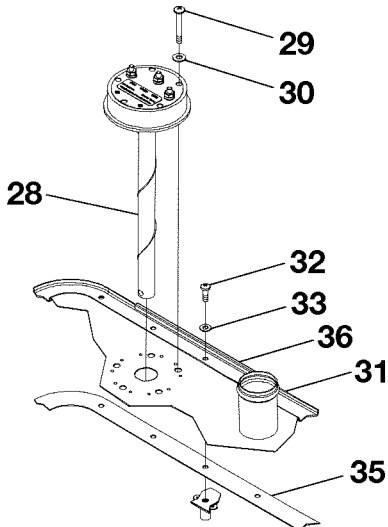
- ITEM NOT ILLUSTRATED

CESSNA®
MODEL 208
 ILLUSTRATED PARTS CATALOG

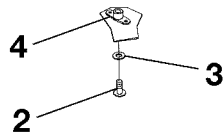
A88006



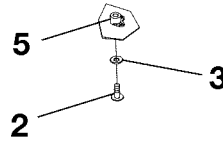
DETAIL A



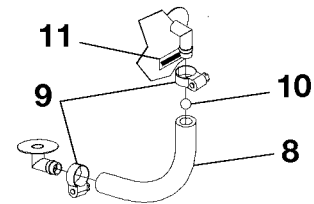
DETAIL D



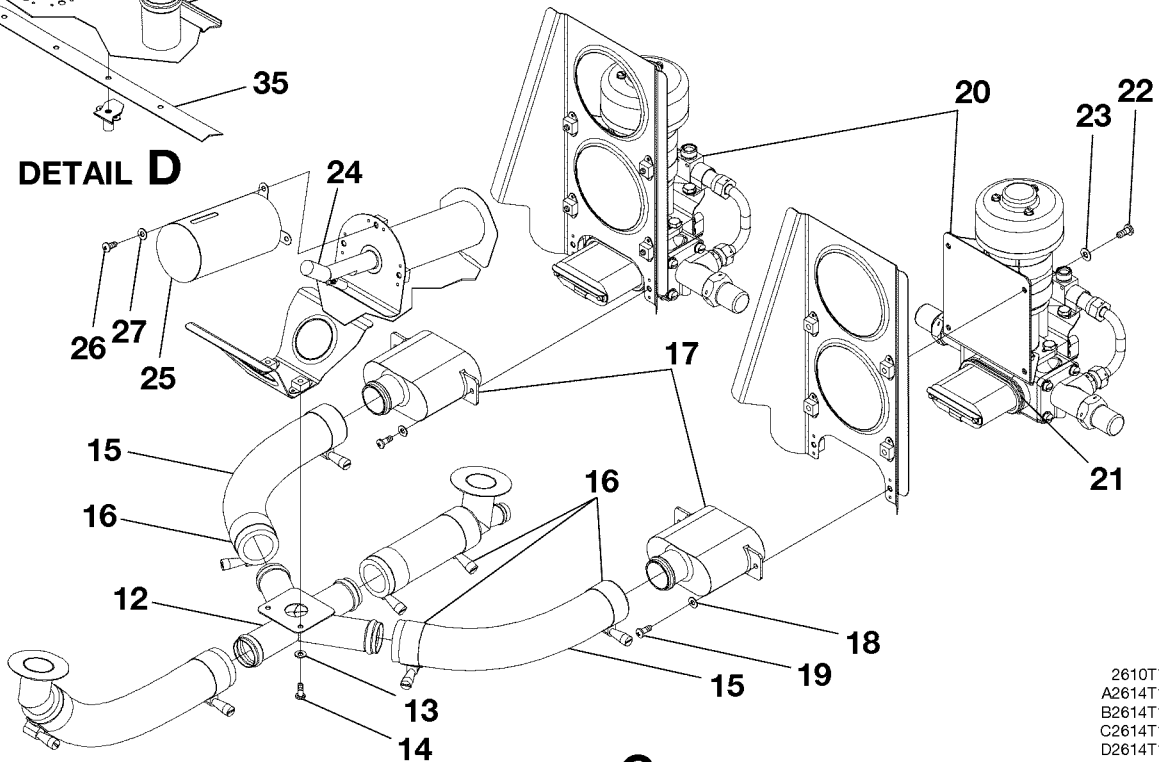
DETAIL E



DETAIL F



DETAIL B



DETAIL C

2610T7004
 A2614T1446
 B2614T1446
 C2614T1446
 D2614T1446
 E2614T1446
 F2614T1446

TKS LOW PROFILE TANK INSTALLATION - 208
 FIGURE 06 (SHEET 1)

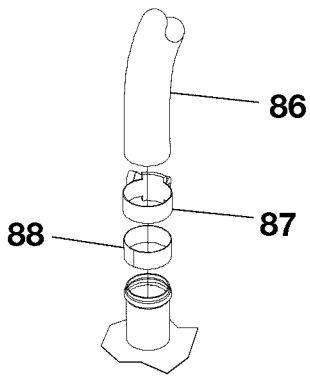
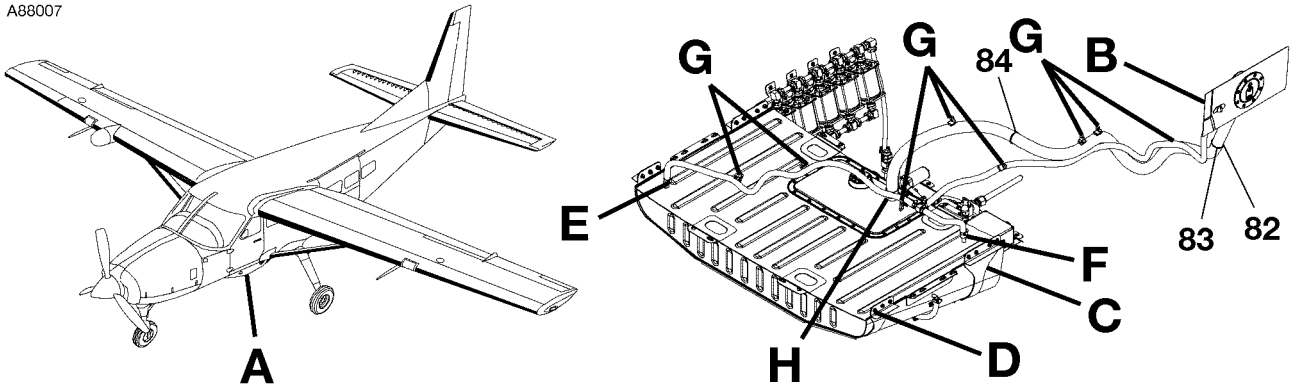
CESSNA®
MODEL 208
ILLUSTRATED PARTS CATALOG

FIG ITEM	PART NUMBER	NOMENCLATURE	1 2 3 4 5 6 7		UNITS PER ASSY
06		TKS LOW PROFILE TANK INSTALLATION - 208 REFER TO NOTE 1	0500	& ON	RF
- 1	2601554-1	. TANK AND EQUIPMENT ASSY			01
		. ATTACHING PARTS			
2	AN525-832R7	. SCREW			16
3	NAS1149FN832P	. WASHER			16
4	MS21047L08	. NUTPLATE			14
5	MS21073L08	. NUTPLATE			02
		—*—			
6	2601546-26	. TANK ASSY			01
7	S1050-1	. GROMMET-BKI			AR
8	R221267	. TUBING-BKI			AR
9	S2357-1	. CLAMP			02
10	13120-17	. SIGHT GAUGE FLOAT BALL VASTL			01
11	2605076-9	. PLACARD-TANK MINIMUM DISPLAY			01
12	2601554-7	. MANIFOLD WELD ASSY			01
		. ATTACHING PARTS			
13	MS27039-0807	. SCREW			02
14	NAS1149FN832P	. WASHER			02
		—*—			
15	R221266	. TUBING-BKI			AR
16	S1891-16S	. CLAMP			08
17	2601554-12	. PUMP-HOSE ADAPTER			01
		. ATTACHING PARTS			
18	NAS1149FN832P	. WASHER			02
19	MS27039-0807	. SCREW			02
		—*—			
20	9514A-1	. PUMP ASSY VK5788			02
21	100-136-1109	. O-RING VK5788			02
		. ATTACHING PARTS			
22	MS27039-1-07	. SCREW			04
23	NAS1149F0332P	. WASHER			04
		—*—			
24	13121-06	. LEVEL SWITCH VK5788			01
25	2601554-11	. BAFFLE ASSY-LOW LEVEL			01
		. ATTACHING PARTS			
26	MS27039-0806	. SCREW			03
27	NAS1149FN832P	. WASHER			03
		—*—			
28	13121-76	. LEVEL SENDER VK5788			01
		. ATTACHING PARTS			
29	MS35207-268	. SCREW			05
30	NAS1149F0332P	. WASHER			05
		—*—			
31	2601546-47	. ACCESS HOLE COVER ASSY			01
		. ATTACHING PARTS			
32	MS27039-0808	. SCREW			20
33	NAS1149FN832P	. WASHER			20
		—*—			
- 34	NAS1473C3 NUTPLATE			05
35	2601546-21 ACCESS HOLE GASKET			01
36	S1050-1 GROMMET-BKI			AR

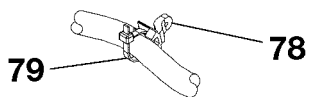
NOTE 1—THIS FIGURE CONTAINS PRODUCTION PARTS AND ASSEMBLIES INSTALLED WITH THE TKS AND/OR LOW AIRSPEED AWARENESS (LAA) SYSTEMS. TO ORDER PARTS FOR SERIAL SPECIFIC CONFIGURATIONS/INSTALLATIONS MODIFIED BY SK208-174, SK208-175, SK208-179, SK208-180, CAB09-9, AND CAB08-7, PLEASE REFER TO THE LATEST APPLICABLE REVISION OF THE SPECIFIC CARAVAN BULLETIN (CAB) AND/OR SERVICE KIT (SK) FOR DETAILED INFORMATION.

CESSNA®
MODEL 208
 ILLUSTRATED PARTS CATALOG

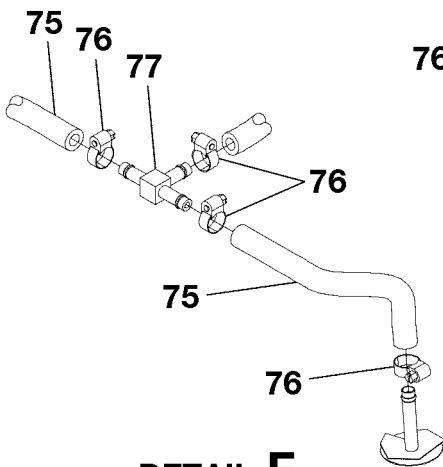
A88007



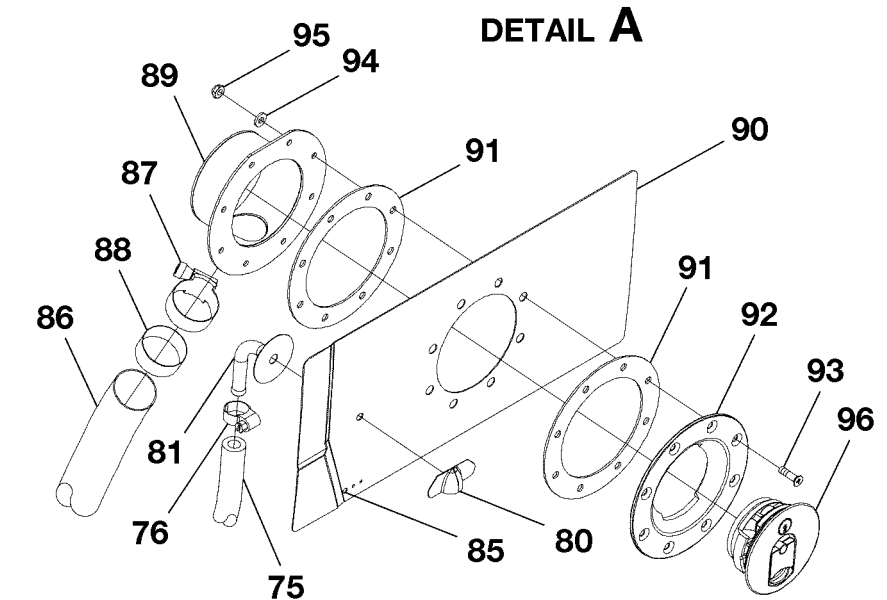
DETAIL H



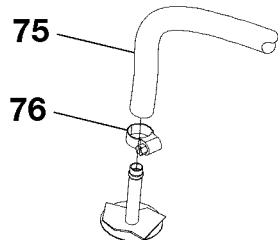
DETAIL G



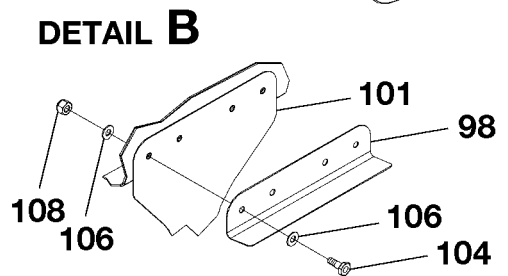
DETAIL F



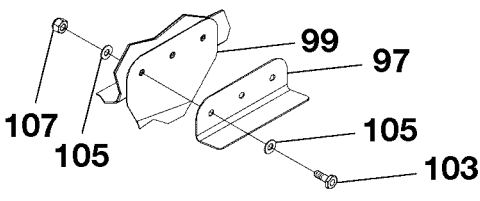
DETAIL A



DETAIL E



DETAIL B



DETAIL C

DETAIL D

- 2610T7004
- A2614T1447
- B2614T1447
- C2614T1447
- D2614T1447
- E2614T1447
- F2614T1447
- G2614T1447
- H2614T1447

TKS LOW PROFILE TANK INSTALLATION - 208
 FIGURE 06 (SHEET 2)

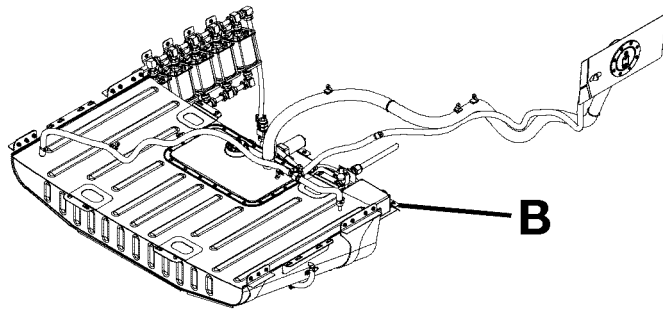
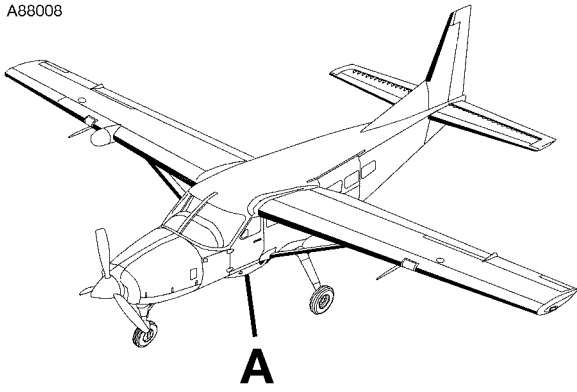
CESSNA®
MODEL 208
 ILLUSTRATED PARTS CATALOG

FIG ITEM	PART NUMBER	NOMENCLATURE	UNITS PER ASSY																
			1	2	3	4	5	6	7										
06																			
75	S1495-6	. HOSE-BKI																	AR
76	S2357-1	. CLAMP																	06
77	S3017-6-6-6	. TEE																	01
78	S4132-1	. ANCHOR																	AR
79	S2209-1	. TIE-BKI																	AR
80	0823337-2	. GROMMET																	01
81	2601552-1	. TKS VENT WELDMENT																	01
82	S1050-3-2.75	. GROMMET																	01
83	S1050-1-1.70	. GROMMET																	01
84	S1050-1-4.30	. GROMMET																	01
85	MS21051L3	. NUTPLATE																	01
86	S1053K10W	. DUCT																	01
87	S1891-20S	. CLAMP																	02
88	P840154	. TAPE-BKI																	AR
89	2601552-7	. FILLER PORT WELDMENT																	01
90	2601552-9	. FILLER PORT DOUBLER																	01
91	13122-08	. GASKET FILLER 8 BOLT																VASTL	02
92	13122-09	. FILLER CAP FLANGE																VASTL	01
		ATTACHING PARTS																	
93	MS24694-C53	. SCREW																	08
94	NAS1149C0363R	. WASHER																	08
95	MS21083C3	. NUT																	08
		—*—																	
96	13122-10	. FILLER CAP																VASTL	0500
- 96A	13122-30	. FILLER CAP																VK5788	0616
97	2613495-7	. ANGLE-TKS FWD STRAP																	0615
98	2613495-8	. ANGLE-TKS AFT STRAP																	& ON
99	2601548-1	. STRAP ASSY-LH FWD																	01
- 100	2601548-2	. STRAP ASSY-RH FWD																	01
101	2601548-3	. STRAP ASSY-LH AFT																	01
- 102	2601548-4	. STRAP ASSY-RH AFT																	01
		ATTACHING PARTS																	
103	NAS6203-4	. BOLT-FWD																	03
104	NAS6203-4	. BOLT-AFT																	04
105	NAS1149F0332P	. WASHER-FWD																	06
106	NAS1149F0332P	. WASHER-AFT																	08
107	MS21044N3	. NUT-FWD																	03
108	MS21044N3	. NUT-AFT																	04
		—*—																	

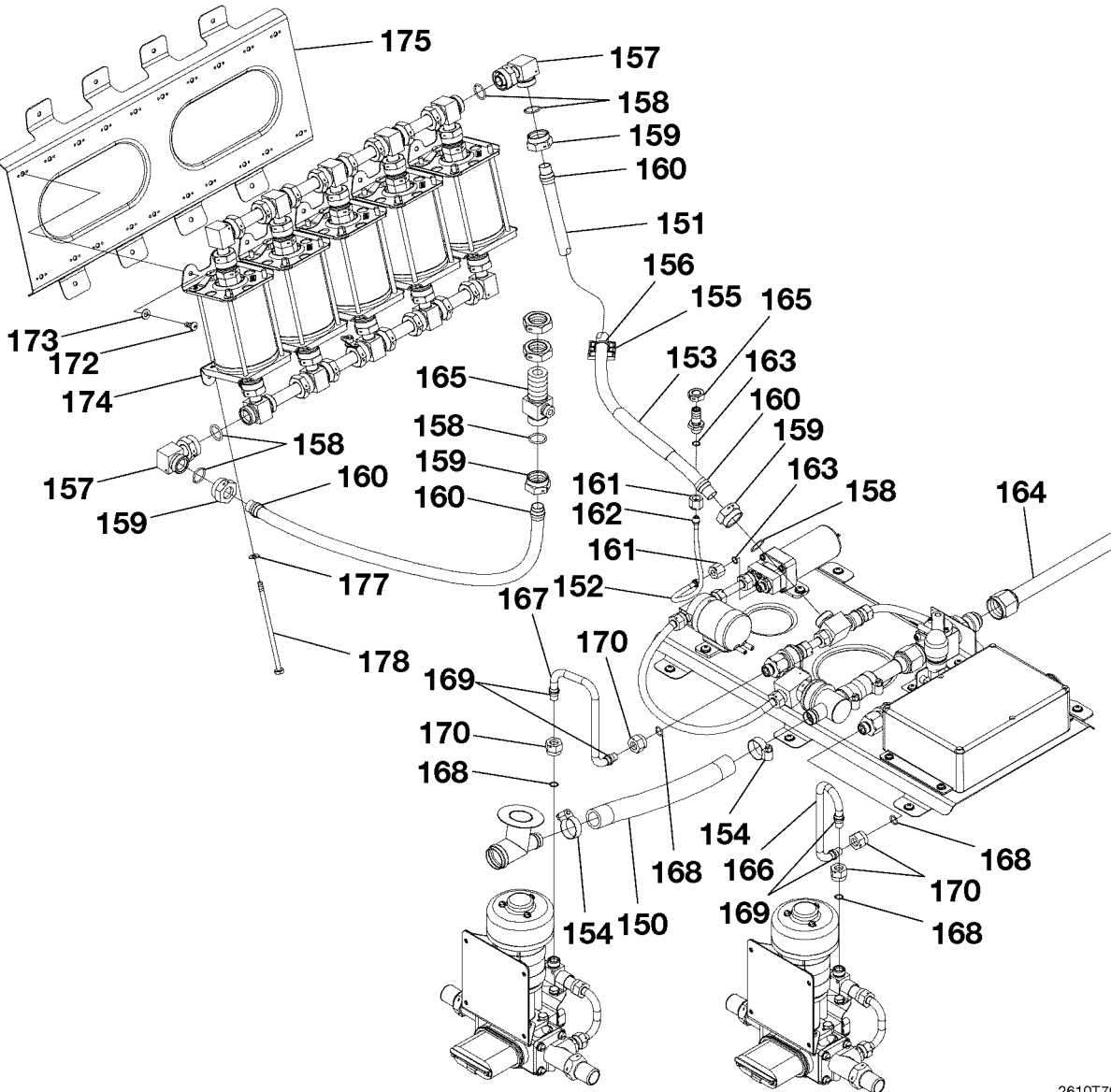
- ITEM NOT ILLUSTRATED

CESSNA®
MODEL 208
 ILLUSTRATED PARTS CATALOG

A88006



DETAIL A



DETAIL B

TKS LOW PROFILE TANK INSTALLATION - 208
 FIGURE 06 (SHEET 3)

2610T7004
 A2614T1448
 B2614T1448

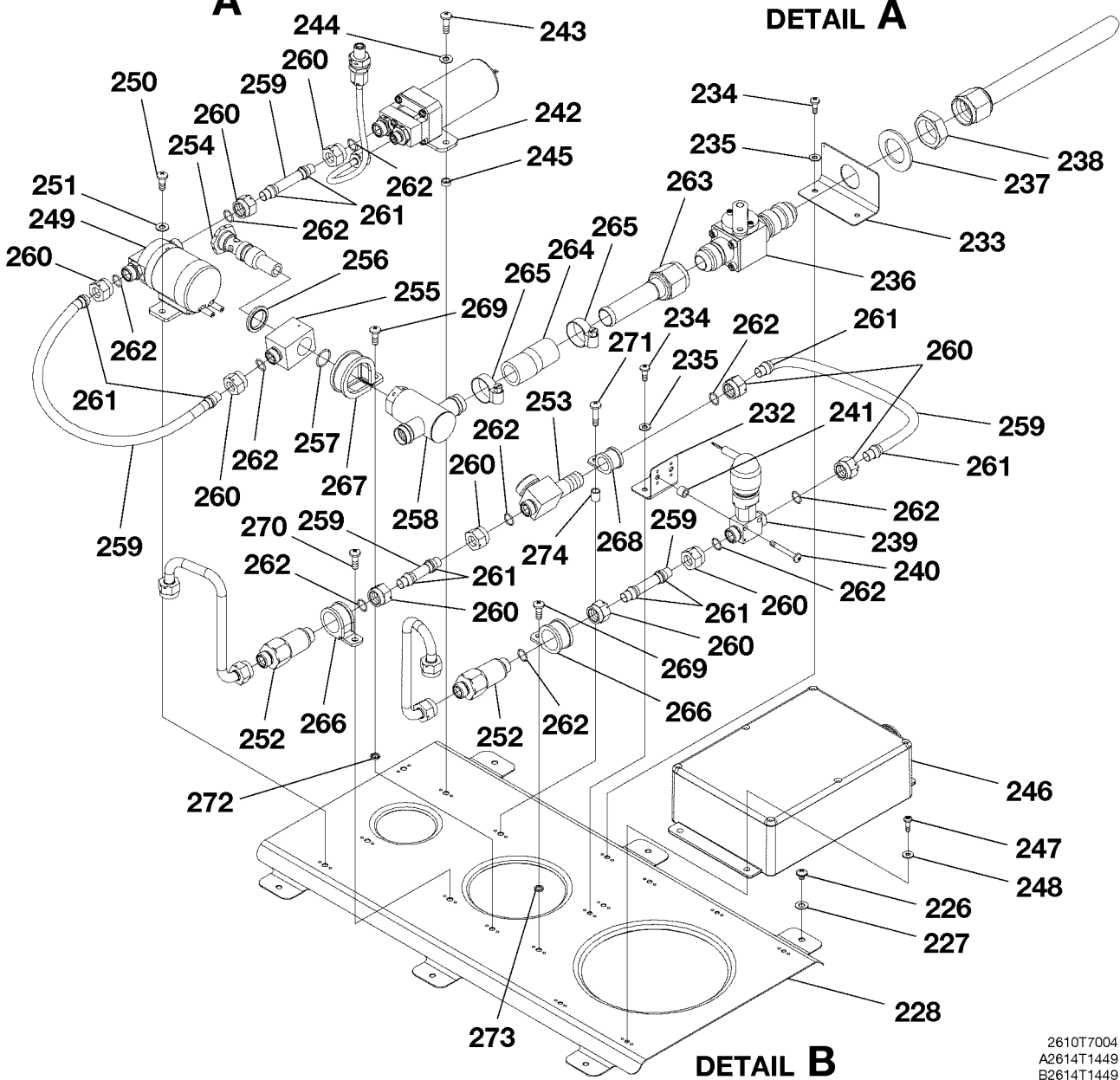
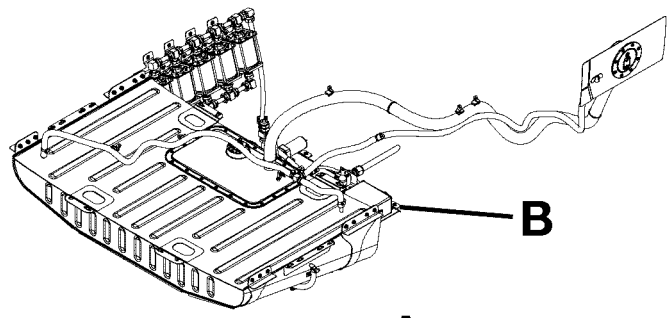
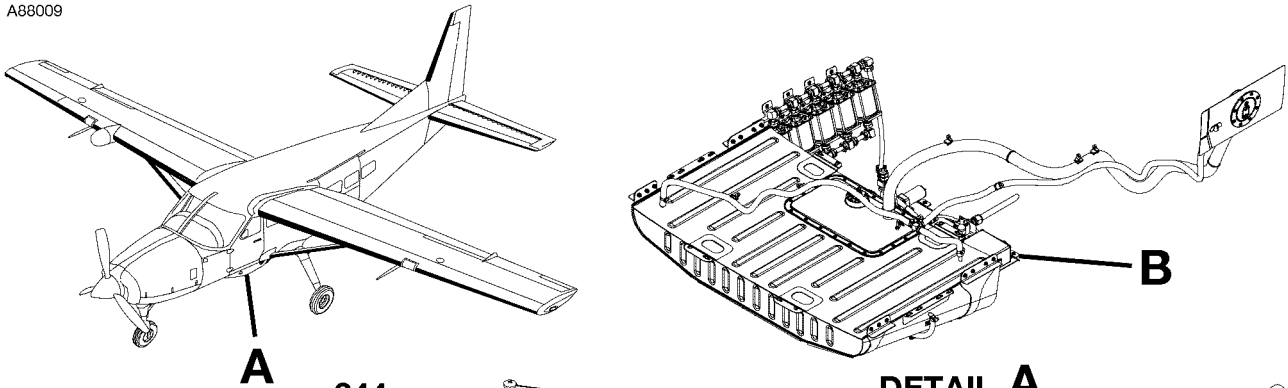
CESSNA®
MODEL 208
 ILLUSTRATED PARTS CATALOG

FIG ITEM	PART NUMBER	NOMENCLATURE	UNITS
			PER ASSY
		1 2 3 4 5 6 7	
06			
150	S2548-10	. HOSE-BKI	AR
151	H610026	. NYLON TUBING-BKI	AR
152	H610024	. NYLON TUBING-BKI	AR
153	S2562-3	. TUBING-BKI	AR
154	S2357-2	. CLAMP	02
155	S2606-2	. MOUNT	01
156	S2209-1	. TIE	01
157	MN6838	. ELBOW ASSY VK5788	02
158	100-013-8810	. SEAL VK5788	06
159	MN6201	. NUT VK5788	04
160	MN101-32	. SLEEVE VASTL	04
161	MN4856	. NUT VK5788	02
162	MN101-12	. SLEEVE VASTL	02
163	S2800-943	. SEALING RING	02
164	2601553-12	. TUBE ASSY-AFT DRAIN	01
165		. FUSELAGE TUBE ROUTING REFER TO 30-10-02 FIGURE 04	RF
166	2601558-1	. PUMP 1 OUTLET HOSE	01
167	2601558-2	. PUMP 2 OUTLET HOSE	01
168	S2800-942	. SEALING RING	04
169	MN101-20	. SLEEVE VASTL	04
170	MN4855	. NUT VK5788	04
- 171	2601553-3	. TKS FILTER PALLET	01
		. ATTACHING PARTS	
172	MS35207-258	. SCREW	08
173	NAS1149F0316P	. WASHER	08
		. * _	
174	13120-15 FILTER ASSEMBLY VK5788	01
175	2601553-5 TKS FILTER BRACKET ASSY	01
- 176	MS21075L3N NUTPLATE	20
177	NAS1149F0316P WASHER	20
178	MS27039-1-07 SCREW	20

- ITEM NOT ILLUSTRATED

CESSNA®
MODEL 208
 ILLUSTRATED PARTS CATALOG

A88009



TKS LOW PROFILE TANK INSTALLATION - 208
 FIGURE 06 (SHEET 4)

2610T7004
 A2614T1449
 B2614T1449

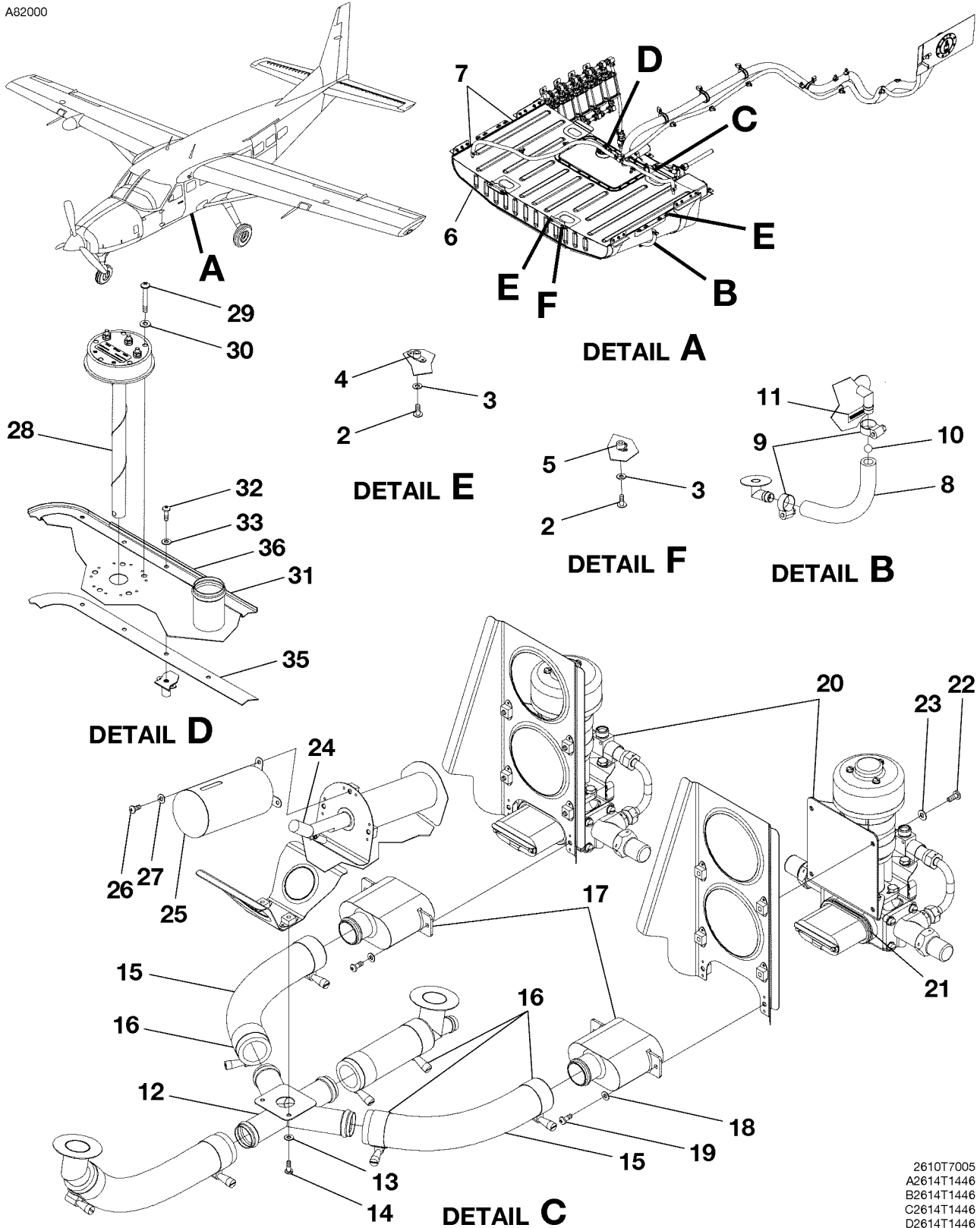
CESSNA®
MODEL 208
ILLUSTRATED PARTS CATALOG

FIG ITEM	PART NUMBER	NOMENCLATURE	1 2 3 4 5 6 7							UNITS PER ASSY
06										
- 225	2601553-14	. TKS ACCESSORY PALLET								01
		. ATTACHING PARTS								
226	MS35207-258	. SCREW								06
227	NAS1149F0316P	. WASHER								06
		—*—								
228	2601553-4	. TKS ACCESSORY BRACKET ASSY						0500	0608	01
- 228A	2601553-16	. TKS ACCESSORY BRACKET ASSY						0609	& ON	01
- 229	MS21075L08N NUTPLATE								04
- 230	MS21075L06N NUTPLATE								04
- 231	MS21075L3N NUTPLATE								08
232	2601553-6 PRESSURE SWITCH BRACKET ASSY								01
233	2601553-9 DRAIN BRACKET								01
		. ATTACHING PARTS								
234	MS27039-0807 SCREW								02
235	NAS1149FN832P WASHER								02
		—*—								
236	72C10G SHUTOFF VALVE-FUEL V91511								01
237	NAS1149D1490J WASHER								01
238	AS5178W10 NUT								01
239	P041BD1500 PRESSURE SWITCH VK5788								01
		. ATTACHING PARTS								
240	MS27039-0819 SCREW								02
241	NAS43DD3-16FC SPACER								02
		—*—								
242	WP209D WINDSHIELD PUMP VK5788								01
		. ATTACHING PARTS								
243	MS27039-1-10 SCREW								02
244	NAS1149F0332P WASHER								02
245	NAS43DD3-8FC SPACER								02
		—*—								
246	13147-02 TIMER BOX VK5788								01
		. ATTACHING PARTS								
247	MS35206-229 SCREW								04
248	NAS1149FN632P WASHER								04
		—*—								
249	FV158T-28V SOLENOID VALVE VK5788								01
		. ATTACHING PARTS								
250	MS27039-1-08 SCREW								02
251	NAS1149F0332P WASHER								02
		—*—								
252	FV147 CHECK VALVE ASSY VASTL								02
253	MN6217 BULKHEAD UNEQUAL TEE VASTL								01
254	13121-34 STRAINER ASSY VK5788								01
255	07621-05 BANJO VK5788								01
256	AGS1186C BONDED SEAL VK5788								01
257	100-112-8810 O-RING VK5788								01
258	2601556-8 STRAINER WELD ASSY								01
259	H610025 NYLON TUBING-BKI								AR
260	MN4855 NUT VK5788								10
261	MN101-20 SLEEVE VASTL								10
262	S2800-942 SEALING RING								10
263	2601553-11 TUBE ASSY-FORE DRAIN								01
264	S2548-10 HOSE-BKI								AR
265	S2357-2 CLAMP								02
266	MS21919WDG12 CLAMP								02
267	MS21919WDG18 CLAMP								01
268	MS21919WDG8 CLAMP								01
269	MS27039-1-08 SCREW								02
270	MS27039-1-09 SCREW								01
271	MS27039-1-12 SCREW								01
272	NAS43DD3-8FC SPACER								01
273	NAS43DD3-3FC SPACER								01
274	NAS43DD3-21FC SPACER								01
- 275	13146-06 WIRE HARNESS-LP PALLET TIMER TO AIRCRAFT VK5788								01
- 276	13146-05 WIRE HARNESS-LP TANK PALLET TO AIRCRAFT VK5788								01

- ITEM NOT ILLUSTRATED

CESSNA®
MODEL 208
 ILLUSTRATED PARTS CATALOG

A82000



TKS LOW PROFILE TANK INSTALLATION - 208B
 FIGURE 07 (SHEET 1)

2610T7005
 A2614T1446
 B2614T1446
 C2614T1446
 D2614T1446

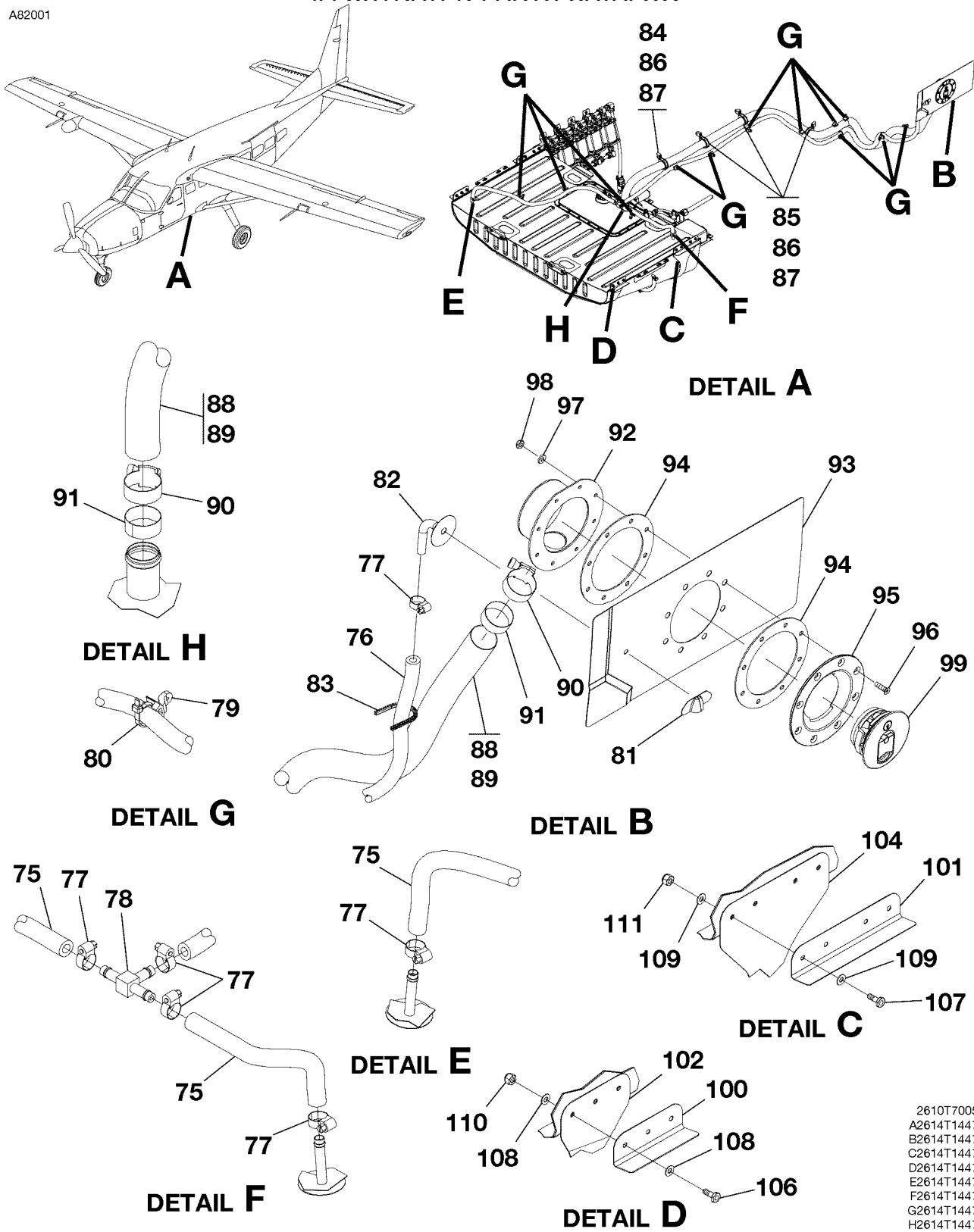
CESSNA®
MODEL 208
ILLUSTRATED PARTS CATALOG

FIG ITEM	PART NUMBER	NOMENCLATURE	1 2 3 4 5 6 7							UNITS PER ASSY	
			1	2	3	4	5	6	7		
07		TKS LOW PROFILE TANK INSTALLATION - 208B REFER TO NOTE 1								B2000 & ON	RF
- 1	2601554-1	TANK AND EQUIPMENT ASSY									01
		ATTACHING PARTS									
2	AN525-832R7	SCREW									16
3	NAS1149FN832P	WASHER									16
4	MS21047L08	NUTPLATE									14
5	MS21073L08	NUTPLATE									02
		—*—									
6	2601546-26	TANK ASSY									01
7	S1050-1	GROMMET-BKI									AR
8	R221267	TUBING-BKI									AR
9	S2357-1	CLAMP									02
10	13120-17	SIGHT GAUGE FLOAT BALL							VASTL		01
11	2605076-9	PLACARD-TANK MINIMUM DISPLAY									01
12	2601554-7	MANIFOLD WELD ASSY									01
		ATTACHING PARTS									
13	MS27039-0807	SCREW									02
14	NAS1149FN832P	WASHER									02
		—*—									
15	R221266	TUBING-BKI									AR
16	S1891-16S	CLAMP									08
17	2601554-12	PUMP - HOSE ADAPTER									01
		ATTACHING PARTS									
18	NAS1149FN832P	WASHER									02
19	MS27039-0807	SCREW									02
		—*—									
20	9514A-1	PUMP ASSY							VK5788		02
21	100-136-1109	O-RING							VK5788		02
		ATTACHING PARTS									
22	MS27039-1-07	SCREW									04
23	NAS1149F0332P	WASHER									04
		—*—									
24	13121-06	LEVEL SWITCH							VK5788		01
25	2601554-11	BAFFLE ASSY-LOW LEVEL									01
		ATTACHING PARTS									
26	MS27039-0806	SCREW									03
27	NAS1149FN832P	WASHER									03
		—*—									
28	13121-76	LEVEL SENDER							VK5788		01
		ATTACHING PARTS									
29	MS35207-268	SCREW									05
30	NAS1149F0332P	WASHER									05
		—*—									
31	2601546-47	ACCESS HOLE COVER ASSY									01
		ATTACHING PARTS									
32	MS27039-0808	SCREW									20
33	NAS1149FN832P	WASHER									20
		—*—									
- 34	NAS1473C3	NUTPLATE									05
35	2601546-21	ACCESS HOLE GASKET									01
36	S1050-1	GROMMET-BKI									AR

NOTE 1—THIS FIGURE CONTAINS PRODUCTION PARTS AND ASSEMBLIES INSTALLED WITH THE TKS AND/OR LOW AIRSPEED AWARENESS (LAA) SYSTEMS. TO ORDER PARTS FOR SERIAL SPECIFIC CONFIGURATIONS/INSTALLATIONS MODIFIED BY SK208-174, SK208-175, SK208-179, SK208-180, CAB09-9, AND CAB08-7, PLEASE REFER TO THE LATEST APPLICABLE REVISION OF THE SPECIFIC CARAVAN BULLETIN (CAB) AND/OR SERVICE KIT (SK) FOR DETAILED INFORMATION.

CESSNA®
MODEL 208
 ILLUSTRATED PARTS CATALOG

A82001



TK5 LOW PROFILE TANK INSTALLATION - 208B
 FIGURE 07 (SHEET 2)

2610T7005
 A2614T1447
 B2614T1447
 C2614T1447
 D2614T1447
 E2614T1447
 F2614T1447
 G2614T1447
 H2614T1447

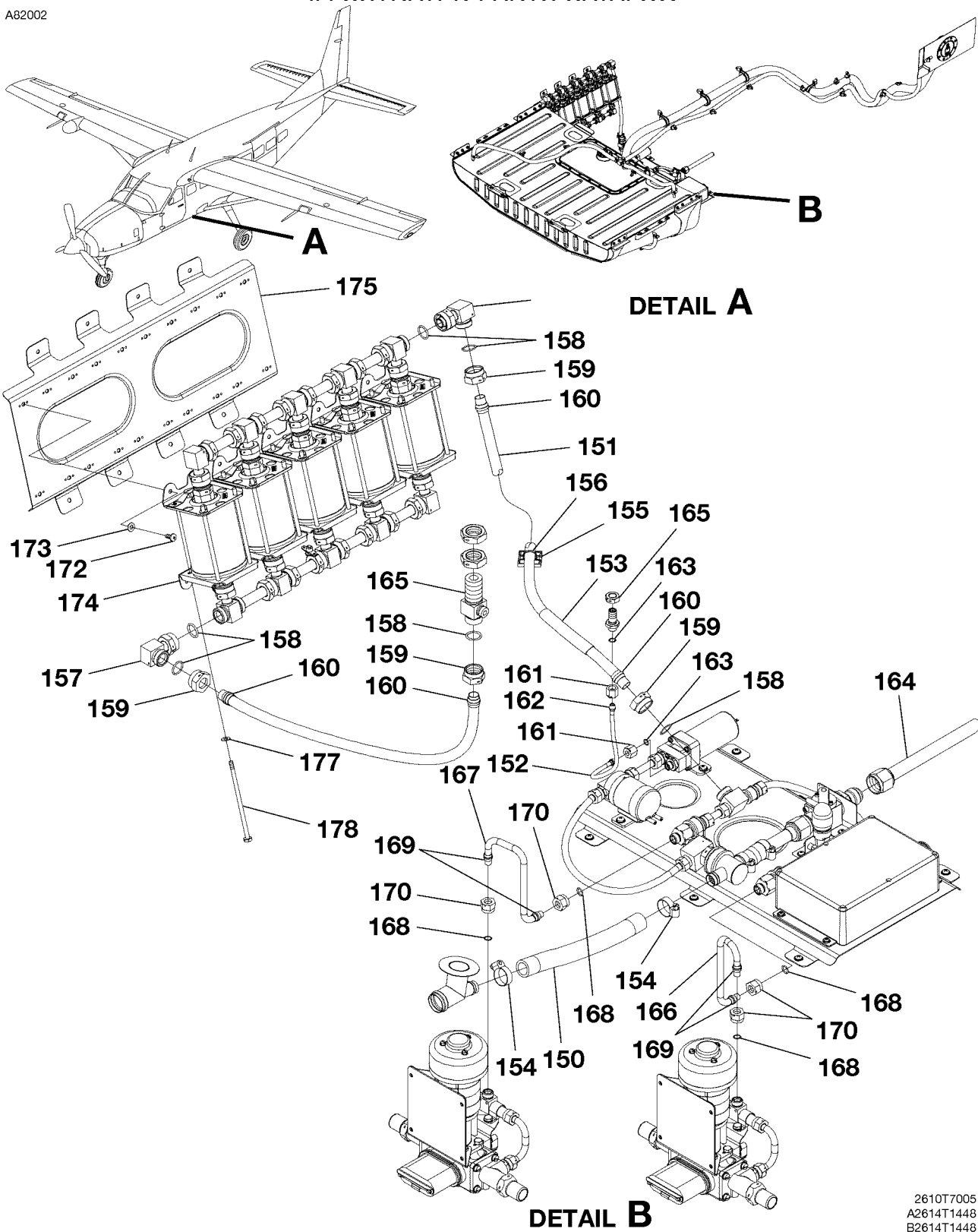
CESSNA®
MODEL 208
ILLUSTRATED PARTS CATALOG

FIG ITEM	PART NUMBER	NOMENCLATURE	UNITS		
			PER	ASSY	
07					
75	S1495-6	. HOSE-BKI			AR
76	S2562-5	. TUBING-BKI			AR
77	S2357-1	. CLAMP			06
78	S3017-6-6-6	. TEE			01
79	S4132-1	. ANCHOR			AR
80	S2209-1	. TIE-BKI			AR
81	0823337-2	. GROMMET			01
82	2601552-1	. TKS VENT WELDMENT			01
83	S1050-1-4.50	. GROMMET			01
84	MS21919WDG24	. CLAMP			01
85	MS21919WDG22	. CLAMP			03
86	MS27039-1-08	. SCREW			04
87	NAS1033A3	. NUTPLATE			04
88	S1053K10W	. DUCT			01
89	ZCT-TS-080	. CONVOLUTED TUBING			AR
90	S1891-20S	. CLAMP			02
91	P840154	. TAPE-BKI			AR
92	2601552-7	. FILLER PORT WELDMENT			01
93	2601552-10	. FILLER PORT DOUBLER			01
94	13122-08	. GASKET FILLER 8 BOLT VASTL			02
95	13122-09	. FILLER CAP FLANGE VASTL			01
		ATTACHING PARTS			
96	MS24694-C53	. SCREW			08
97	NAS1149C0363R	. WASHER			08
98	MS21083C3	. NUT			08
		—*—			
99	13122-10	. FILLER CAP VASTL	B2000	B4999	01 R
			B5021	B5470	
- 99A	13122-30	. FILLER CAP VK5788	B5471	& ON	01 R
100	2613495-7	. ANGLE-TKS FWD STRAP			02
101	2613495-8	. ANGLE-TKS AFT STRAP			02
102	2601548-1	. STRAP ASSY-LH FWD			01
- 103	2601548-2	. STRAP ASSY-RH FWD			01
104	2601548-3	. STRAP ASSY-LH AFT			01
- 105	2601548-4	. STRAP ASSY-RH AFT			01
		ATTACHING PARTS			
106	NAS6203-4	. BOLT-FWD			03
107	NAS6203-4	. BOLT-AFT			04
108	NAS1149F0332P	. WASHER-FWD			06
109	NAS1149F0332P	. WASHER-AFT			08
110	MS21044N3	. NUT-FWD			03
111	MS21044N3	. NUT-AFT			04
		—*—			

- ITEM NOT ILLUSTRATED

CESSNA®
MODEL 208
 ILLUSTRATED PARTS CATALOG

A82002



TKS LOW PROFILE TANK INSTALLATION - 208B
 FIGURE 07 (SHEET 3)

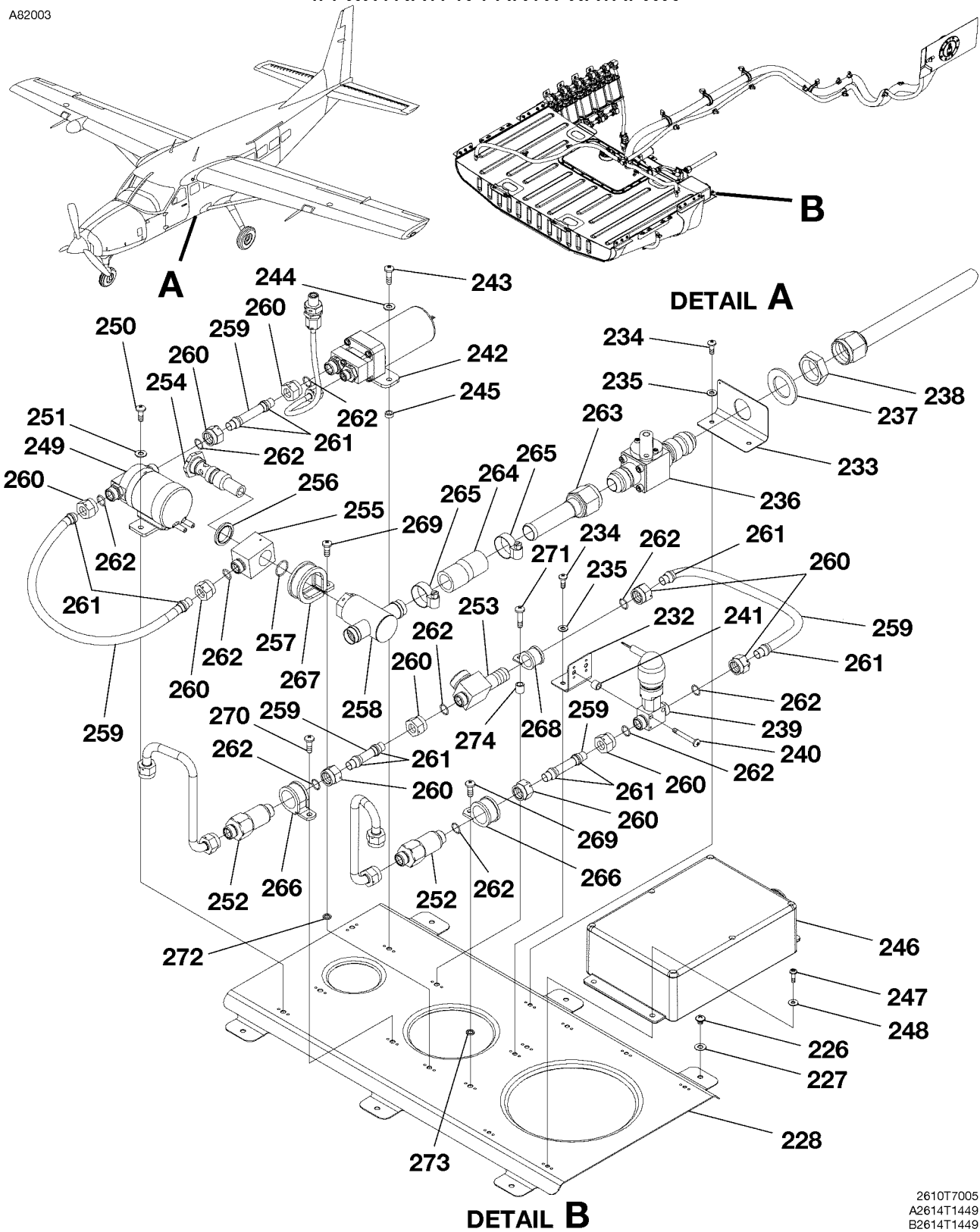
2610T7005
 A2614T1448
 B2614T1448

CESSNA®
MODEL 208
 ILLUSTRATED PARTS CATALOG

FIG ITEM	PART NUMBER	NOMENCLATURE							UNITS PER ASSY
		1	2	3	4	5	6	7	
07									
150	S2548-10	AR
151	H610026	AR
152	H610024	AR
153	S2562-3	AR
154	S2357-2	02
155	S2606-2	01
156	S2209-1	01
157	MN6838	VK5788	02
158	100-013-8810	VK5788	06
159	MN6201	VK5788	04
160	MN101-32	VASTL	04
161	MN4856	VK5788	02
162	MN101-12	VASTL	02
163	S2800-943	02
164	2601553-12	01
165		RF
166	2601558-1	01
167	2601558-2	01
168	S2800-942	04
169	MN101-20	VASTL	04
170	MN4855	VK5788	04
- 171	2601553-3	01
		
172	MS35207-258	08
173	NAS1149F0316P	08
		
174	13120-15	VK5788	01
175	2601553-5	01
- 176	MS21075L3N	20
177	NAS1149F0316P	20
178	MS27039-1-07	20

CESSNA®
MODEL 208
 ILLUSTRATED PARTS CATALOG

A82003



TKS LOW PROFILE TANK INSTALLATION - 208B
 FIGURE 07 (SHEET 4)

2610T7005
 A2614T1449
 B2614T1449

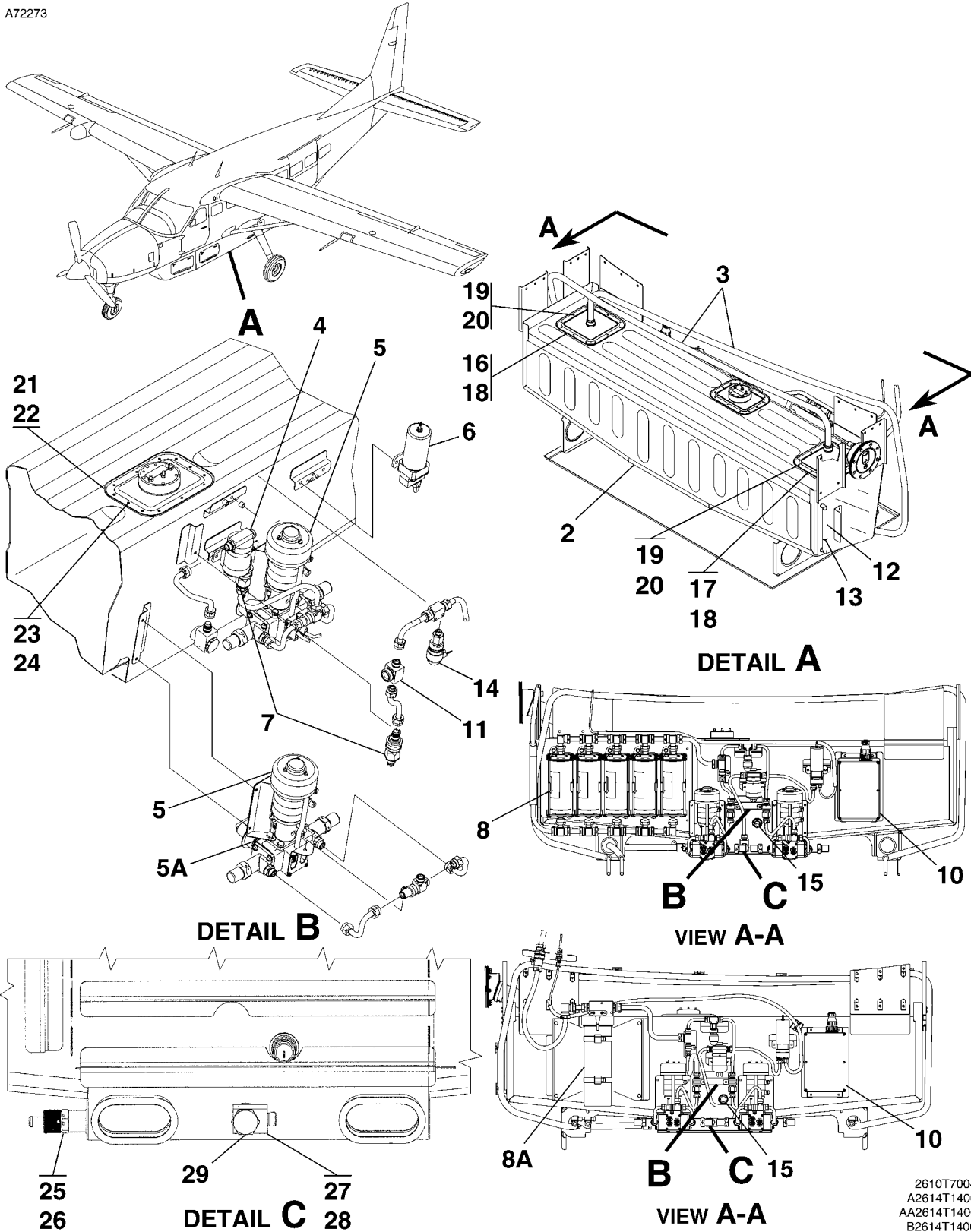
CESSNA®
MODEL 208
ILLUSTRATED PARTS CATALOG

FIG ITEM	PART NUMBER	NOMENCLATURE	1 2 3 4 5 6 7							UNITS PER ASSY
07										
- 225	2601553-14	. TKS ACCESSORY PALLET								01
		. ATTACHING PARTS								
226	MS35207-258	. SCREW								06
227	NAS1149F0316P	. WASHER								06
		—*—								
228	2601553-4	. TKS ACCESSORY BRACKET ASSY						B2000	B5421	01
- 228A	2601553-16	. TKS ACCESSORY BRACKET ASSY						B5422	& ON	01
- 229	MS21075L08N NUTPLATE								04
- 230	MS21075L06N NUTPLATE								04
- 231	MS21075L3N NUTPLATE								08
232	2601553-6 PRESSURE SWITCH BRACKET ASSY								01
233	2601553-9 DRAIN BRACKET								01
		. ATTACHING PARTS								
234	MS27039-0807 SCREW								02
235	NAS1149FN832P WASHER								02
		—*—								
236	72C10G SHUTOFF VALVE-FUEL						V91511		01
237	NAS1149D1490J WASHER								01
238	AS5178W10 NUT								01
239	P041BD1500 PRESSURE SWITCH						VK5788		01
		. ATTACHING PARTS								
240	MS27039-0819 SCREW								02
241	NAS43DD3-16FC SPACER								02
		—*—								
242	WP209D WINDSHIELD PUMP						VK5788		01
		. ATTACHING PARTS								
243	MS27039-1-10 SCREW								02
244	NAS1149F0332P WASHER								02
245	NAS43DD3-8FC SPACER								02
		—*—								
246	13147-02 TIMER BOX						VK5788		01
		. ATTACHING PARTS								
247	MS35206-229 SCREW								04
248	NAS1149FN632P WASHER								04
		—*—								
249	FV158T-28V SOLENOID VALVE						VK5788		01
		. ATTACHING PARTS								
250	MS27039-1-08 SCREW								02
251	NAS1149F0332P WASHER								02
		—*—								
252	FV147 CHECK VALVE ASSY						VASTL		02
253	MN6217 BULKHEAD UNEQUAL TEE						VASTL		01
254	13121-34 STRAINER ASSY						VK5788		01
255	07621-05 BANJO						VK5788		01
256	AGS1186C BONDED SEAL						VK5788		01
257	100-112-8810 O-RING						VK5788		01
258	2601556-8 STRAINER WELD ASSY								01
259	H610025 NYLON TUBING-BKI								AR
260	MN4855 NUT						VK5788		10
261	MN101-20 SLEEVE						VASTL		10
262	S2800-942 SEALING RING								10
263	2601553-11 TUBE ASSY-FORE DRAIN								01
264	S2548-10 HOSE-BKI								AR
265	S2357-2 CLAMP								02
266	MS21919WDG12 CLAMP								02
267	MS21919WDG18 CLAMP								01
268	MS21919WDG8 CLAMP								01
269	MS27039-1-08 SCREW								02
270	MS27039-1-09 SCREW								01
271	MS27039-1-12 SCREW								01
272	NAS43DD3-8FC SPACER								01
273	NAS43DD3-3FC SPACER								01
274	NAS43DD3-21FC SPACER								01
- 275	13146-06 WIRE HARNESS-LP PALLET TIMER TO AIRCRAFT						VK5788		01
- 276	13146-05 WIRE HARNESS-LP TANK PALLET TO AIRCRAFT						VK5788		01

- ITEM NOT ILLUSTRATED

CESSNA®
MODEL 208
 ILLUSTRATED PARTS CATALOG

A72273



TKS FLUID TANK & EQUIPMENT PACK INSTALLATION
 FIGURE 08 (SHEET 1)

2610T7004
 A2614T1400
 AA2614T1400
 B2614T1400

CESSNA®
MODEL 208
ILLUSTRATED PARTS CATALOG

FIG ITEM	PART NUMBER	NOMENCLATURE	UNITS		
			PER	ASSY	
08					
-		TKS FLUID TANK & EQUIPMENT PACK INSTALLATION REFER TO NOTE 1	B2000	& ON	RF
- 1	S2800-924	. FLUID TANK & EQUIPMENT PACK REF 13120-02 FSO S2800-1314	B2000	B5186	NP
- 1A	S2800-1314	. FLUID TANK & EQUIPMENT PACK REF 13120-19	B5187	B5469	01
- 1B	13120-39	. FLUID TANK & EQUIPMENT PALLET	B5470	& ON	01
2	13121-01	. . TKS TANK	B2000	B5435	01
- 2A	13121-82	. . TKS TANK	B5436	& ON	01
3	1155	. . PVC TUBE VK5788			01
4	FV158T-28V	. . SOLENOID VALVE VK5788			01
5	9514A-1	. . PUMP ASSY VK5788			02
5A	100-136-1109	. . O-RING-PUMP ASSY			02
6	WP209D	. . PUMP-WINDSCREEN WASH VK5788	B2000	B5186	01
- 6A	WP209A	. . PUMP ASSY-WINDSCREEN WASH VASTL	B5187	& ON	01
7	FV147	. . CHECK VALVE ASSY VK5788			02
8	13120-10	. . FILTER ASSY REFER TO NOTE 2 VK5788	B2000	B5186	01
8A	13120-20	. . FILTER ASSY REFER TO NOTE 3 VK5788	B5187	& ON	01
- 8B	100-235-8810	. . O-RING REFER TO NOTE 3	B5187	& ON	01 R
- 9	914-10	. . FILTER ELEMENT			01
10	13147-02	. . TIMER BOX VK5788			01
11	MN6217	. . BULKHEAD UNEQUAL TEE VK5788			01
12	13120-17	. . SIGHT GAUGE FLOAT BALL VASTL			01
13	EH1103	. . CLAMP			02
14	P041BD1500	. . PRESSURE SWITCH VK5788			01
15	13121-06	. . LEVEL SWITCH VK5788			01
16	13121-44	. . ACCESS PANEL ASSY-RH VK5788			01
17	13121-40	. . ACCESS PANEL ASSY-LH VK5788			01
18	08720-17	. . GASKET-ACCESS PANEL VK5788			02
		ATTACHING PARTS			
19	AN526-832R10	. . SCREW			12
20	NAS1149F0832P	. . WASHER			12
		—*—			
21	13121-37	. . CENTER ACCESS PANEL ASSY VK5788			01
22	2809-42	. . GASKET-ACCESS PANEL VK5788			01
		ATTACHING PARTS			
23	AN526-832R10	. . SCREW			12
24	NAS1149F0832P	. . WASHER			12
		—*—			
25	11421-22	. . VALVE-DRAIN VK5788			01
26	100-015-8810	. . PACKING			01
27	07621-05	. . BANJO VK5788			01
28	AGS1186C	. . BONDED SEAL-BANJO VK5788			01
29	13121-34	. . STRAINER ASSY VK5788			01

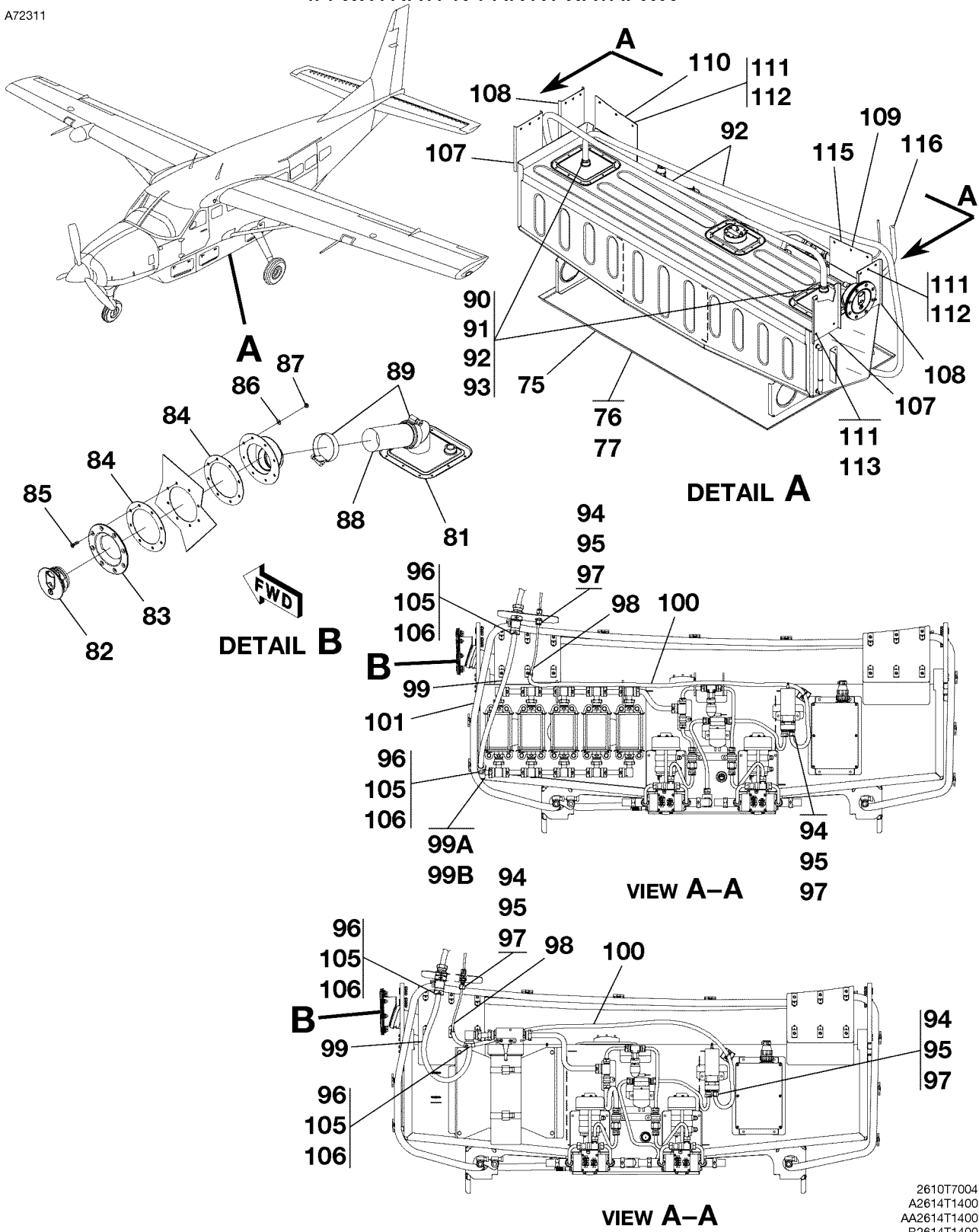
NOTE 1—THIS FIGURE CONTAINS PRODUCTION PARTS AND ASSEMBLIES INSTALLED WITH THE TKS AND/OR LOW AIRSPEED AWARENESS (LAA) SYSTEMS. TO ORDER PARTS FOR SERIAL SPECIFIC CONFIGURATIONS/INSTALLATIONS MODIFIED BY SK208-174, SK208-175, SK208-179, SK208-180, CAB09-9, AND CAB08-7, PLEASE REFER TO THE LATEST APPLICABLE REVISION OF THE SPECIFIC CARAVAN BULLETIN (CAB) AND/OR SERVICE KIT (SK) FOR DETAILED INFORMATION.

NOTE 2—AIRPLANES -B2000 THRU -B5186 AND AIRPLANES -B2092 THRU -B5186 NOT INCORPORATING CAB-30-05.

NOTE 3—AIRPLANES -B5187 AND ON AND AIRPLANES -B2092 THRU -B5186 INCORPORATING CAB-30-05.

CESSNA®
MODEL 208
 ILLUSTRATED PARTS CATALOG

A72311



2610T7004
 A2614T1400
 AA2614T1400
 B2614T1400

TKS FLUID TANK & EQUIPMENT PACK INSTALLATION
 FIGURE 08 (SHEET 2)

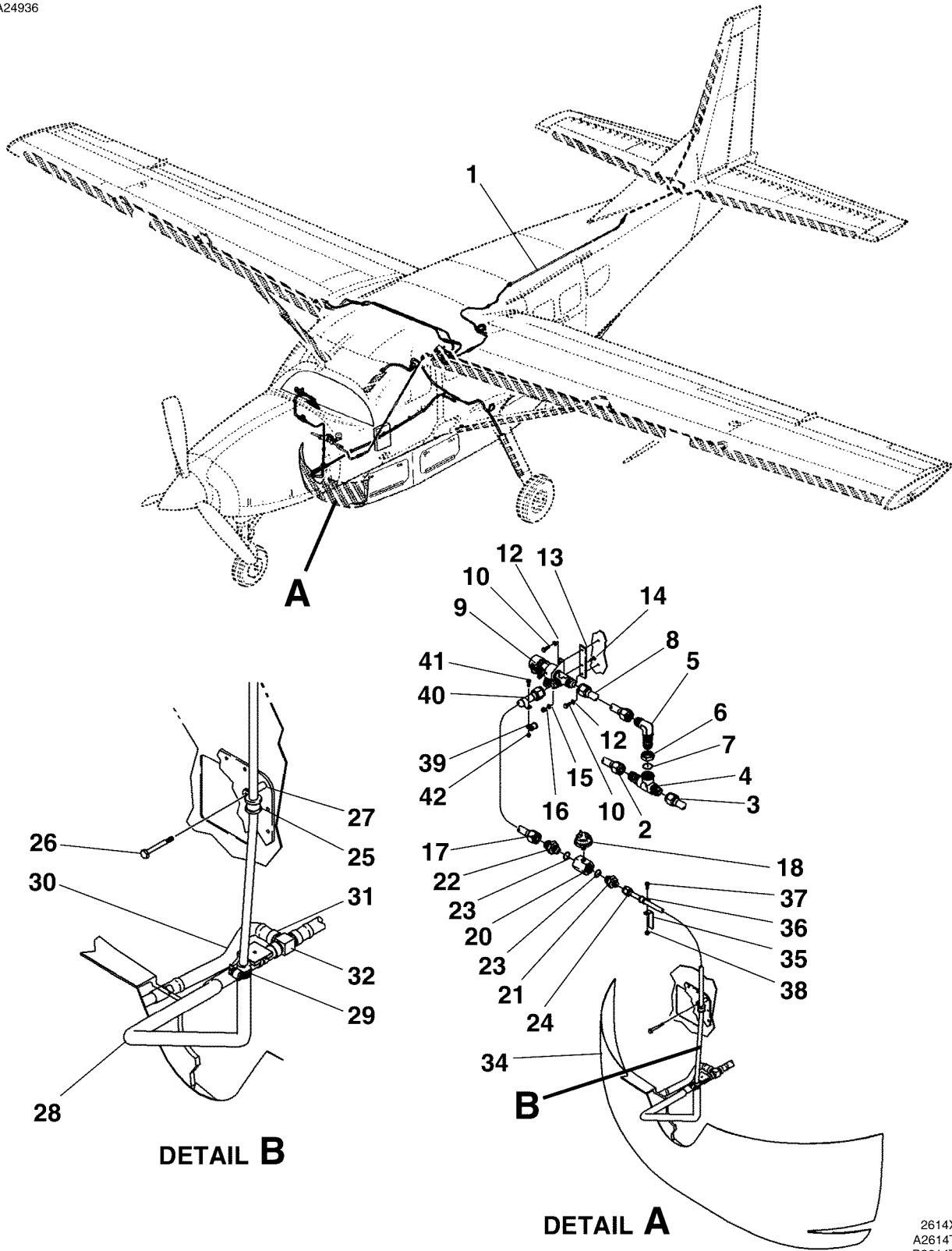
CESSNA®
MODEL 208
ILLUSTRATED PARTS CATALOG

FIG ITEM	PART NUMBER	NOMENCLATURE	UNITS		
			PER ASSY		
08					
75	2601523-14	. DRIP PAN-TKS TANK ASSY FSO 2601523-17	B2000	B2134	NP
- 75A	2601523-17	. DRIP PAN-TKS TANK ASSY	B2135	& ON	01
		. ATTACHING PARTS			
76	NAS1149F0316P	. WASHER	B2000	B2134	14
- 76A	MS35333-39	. LOCK WASHER	B2135	& ON	14
77	MS21083N3	. NUT	B2000	B2134	14
- 77A	S3923-3	. NUT	B2135	& ON	14
		. *—			
- 78A	S3275-401	. . RECEPTACLE	B2000	B2134	02
- 79	S3275-3R	. STUD	B2000	B2134	02
- 80	S3275-301	. RETAINER RING	B2000	B2134	02
81	S2800-925	. FILLER DOOR ASSY REF 13120-01			01
82	13122-10	. CAP-FILLER VASTL	B2000	B4999	01
			B5021	B5470	
- 82A	13122-30	. CAP-FILLER VK5788	B5471	& ON	01
83	13122-09	. FLANGE-FILLER CAP VASTL			01
84	13122-08	. GASKET FILLER-8 BOLT VASTL			02
		. ATTACHING PARTS			
85	MS24694-C53	. SCREW			08
86	NAS1149C0363R	. WASHER			08
87	MS21083C3	. NUT			08
		. *—			
88	S1053K16W	. DUCT BKI			AR
89	S3438-0225	. CLAMP			02
90	AN840-6D	. ADAPTER			02
91	AN912-2D	. BUSHING			02
92	S1495-6	. HOSE BKI			AR
93	S1891-6S	. CLAMP			06
94	MN101-12	. SLEEVE VASTL			02
95	MN4856	. NUT VK5788			02
96	MN6201	. NUT VK5788			02
97	S2800-943	. SEALING RING REF S1201-12			02
98	H610024	. NYLON TUBING BKI			AR
99	H610026	. NYLON TUBING BKI			AR
99A	13120-29	. TUBE-1/2 IN HEAT FORMED			01
99B	MN6838	. ELBOW ASSY REFER TO NOTE 1 VK5788	B2092	B5186	01
- 99C	100-013-8810	. SEAL REFER TO NOTE 1 VK5788	B2092	B5186	01
100	S2562-1	. TUBING			AR
101	S2562-4	. TUBING	B2000	B2134	AR
- 102	S4132-1	. ANCHOR			01
- 103	S2606-2	. MOUNT			18
- 104	S2209-1	. TIE			23
105	MN101-32	. SLEEVE VASTL			02
106	100-013-8810	. SEAL VK5788			02
107	2601521-1	. PLATE ASSY-FWD SHEAR			02
108	2601521-2	. PLATE ASSY-AFT SHEAR			02
109	2601521-3	. PLATE ASSY-LH REAR SHEAR			02
110	2601521-4	. PLATE ASSY-RH REAR SHEAR			02
		. ATTACHING PARTS			
111	AN4-5A	. BOLT			32
112	NAS1149F0432P	. WASHER			24
113	NAS1149F0463P	. WASHER			08
		. *—			
- 114		. DELETED-NOT USED			
115		. CENTER FUSELAGE STRUCTURE REFER TO 53-12-00 FIGURE 03			RF
116		. TKS ROUTING-FUSELAGE REFER TO 30-10-02 FIGURE 04			RF

NOTE 1—AIRPLANES -B2092 THRU -B5186 AND AIRPLANES -B2092 THRU -B5186 NOT INCORPORATING CAB-30-05.

CESSNA®
MODEL 208
 ILLUSTRATED PARTS CATALOG

A24936



CARGO POD AND LANDING GEAR DEICE SYSTEM
 FIGURE 01 (SHEET 1)

2614X4001A
 A2614T4001A
 B2614T4001A

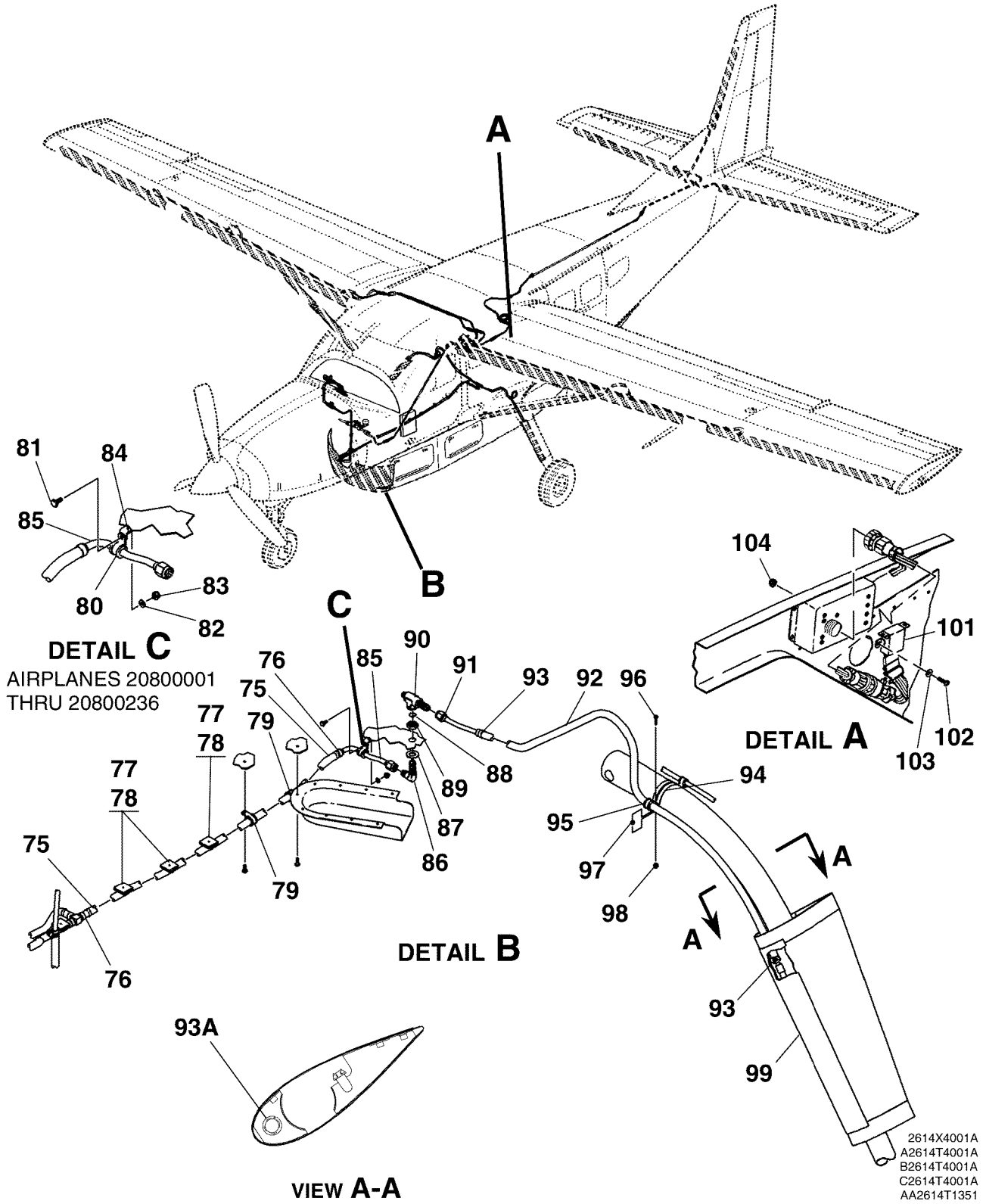
CESSNA®
MODEL 208
ILLUSTRATED PARTS CATALOG

FIG ITEM	PART NUMBER	NOMENCLATURE	1 2 3 4 5 6 7							UNITS PER ASSY	
01		CARGO POD AND LANDING GEAR DEICE SYSTEM REFER TO NOTE 1							0225	& ON	RF
-		. DEICE SYSTEM REFER TO 30-10-00 FIGURE 01									RF
1		. LINE ASSY TO PRESSURE REGULATOR									01
2	2600103-1	. LINE ASSY TO VACUUM REGULATOR & EJECTOR									01
3	2600103-5	. TEE									01
4	AN783D10	. ELBOW									01
5	AN833-10D	. NUT									01
6	AS5178W10	. PACKING									01
7	MS28778-10	. LINE ASSY									01
8	2600103-2	. VALVE-DEICE V03481									01
9	3D2353-06	. ATTACHING PARTS									
10	AN3-5A	. BOLT									02
-		. DELETED-NOT USED									
11		. DELETED-NOT USED									
12	NAS1149F0332P	. WASHER									02
		—*—									
13	2601438-1	. MOUNTING PLATE									01
		. ATTACHING PARTS									
14	MS24694-S50	. SCREW									01
15	NAS1149F0332P	. WASHER									01
16	MS21044N3	. NUT									01
		—*—									
17	2600103-3	. LINE ASSY									01
18	1D1470-15	. PRESSURE SWITCH-DEICE SYSTEM V03481									01
-		. DELETED-NOT USED									
19		. DELETED-NOT USED									
20	2601062-1	. BLOCK-PRESSURE SWITCH									01
21	AS5174D0806	. REDUCER									01
22	AS5174D1008	. REDUCER									01
23	MS28778-8	. PACKING									02
24	2600103-4	. LINE ASSY									01
25	MS21919WDG6	. CLAMP									01
		. ATTACHING PARTS									
26	AN3-15A	. BOLT									01
27	NAS43HT3-64	. SPACER									01
		—*—									
28	S2632-1	. HOSE 15.00 IN LG BKI									01
		. ATTACHING PARTS									
29	S2357-1	. CLAMP-HOSE									02
		—*—									
30	S2632-1	. HOSE 11.00 IN LG BKI									01
		. ATTACHING PARTS									
31	S2357-1	. CLAMP-HOSE									02
		—*—									
32	1K14-6-6-6	. TEE V26433									01
-		. DELETED-NOT USED									
33		. DELETED-NOT USED									
34	29S7D5175-15	. DE-ICER-CARGO POD V03481									01
-	34A	29S-7D5175-20 V0AJJ0									01
		. DE-ICER-CARGO POD ALT FOR 29S7D5175-15									01
35	2650026-5	. BRACKET									01
36	MS21919WDG6	. CLAMP									01
		. ATTACHING PARTS									
37	MS35207-263	. SCREW									01
38	MS21083N3	. NUT									01
		—*—									
39	MS21919WDG6	. CLAMP									01
40	MS21919WDG8	. CLAMP									01
		. ATTACHING PARTS									
41	MS35207-264	. SCREW									01
42	MS21083N3	. NUT									01
		—*—									

NOTE 1—AIRPLANES -0225 & ON AND AIRPLANES -0001 & ON INCORPORATING AK208-6.

CESSNA®
MODEL 208
 ILLUSTRATED PARTS CATALOG

A24937



VIEW A-A
 CARGO POD AND LANDING GEAR DEVICE SYSTEM
 FIGURE 01 (SHEET 2)

2614X4001A
 A2614T4001A
 B2614T4001A
 C2614T4001A
 AA2614T1351

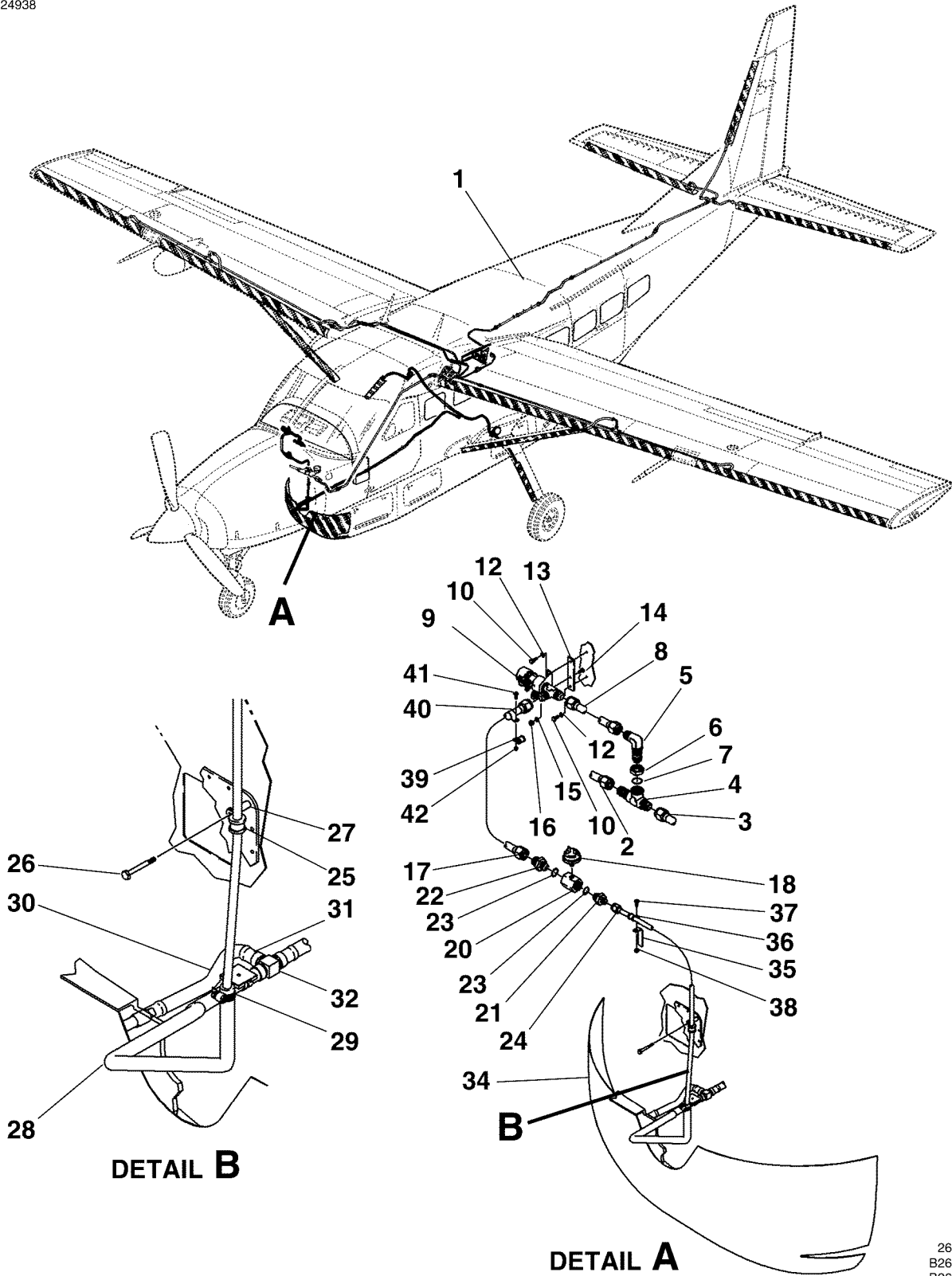
CESSNA®
MODEL 208
ILLUSTRATED PARTS CATALOG

FIG ITEM	PART NUMBER	NOMENCLATURE	UNITS PER ASSY		
			1	2	3
01					
75	S2632-1	. HOSE 87.00 IN LG BKI	0001	0236	01
- 75A	S2632-1	. HOSE 110.00 IN LG BKI	0237	& ON	01
		ATTACHING PARTS			
76	S2357-1	. CLAMP-HOSE			02
		—*—			
77	S2606-2	. MOUNT			AR
78	MS3367-1-9	. STRAP			AR
79	MS21919DG10	. CLAMP	0001	0236	02
80	MS21919DG6	. CLAMP	0001	0236	01
		ATTACHING PARTS			
81	AN3-3A	. BOLT	0001	0236	01
82	NAS1149F0332P	. WASHER	0001	0236	01
83	MS21044N3	. NUT	0001	0236	01
		—*—			
84	AN743-13	. BRACKET	0001	0236	01
85	2600103-6	. LINE ASSY	0001	0236	01
- 85A	2600103-7	. LINE ASSY	0237	& ON	01
86	AN833-6D	. ELBOW			01
87	NAS1149F0963P	. WASHER			01
88	MS28778-6	. PACKING			01
89	AN924-6D	. NUT ALT FOR AS5178W06			02 R
- 89A	AS5178W06	. NUT ALT FOR AN924-6D			02 R
90	AN783D6	. TEE			01
91	2600103-7	. LINE ASSY			02
92	S2632-1	. HOSE 55.00 IN LG BKI			02
		ATTACHING PARTS			
93	S2357-1	. CLAMP-HOSE			02
		—*—			
93A	NAS557-10A	. GROMMET			02
94	MS21919WCG42	. CLAMP REFER TO NOTE 1	0001	& ON	02
- 94A	MS21919WCG43	. CLAMP REFER TO NOTE 1	B0001	& ON	02
95	MS21919DG10	. CLAMP	0225	0236	02
			B0328	B0378	
- 95A	MS21919WDG10	. CLAMP REFER TO NOTE 1	0237	& ON	02
			B0379	& ON	
96	AN520-10R11	. SCREW	0225	0236	02
			B0328	B0378	
- 96A	MS35207-263	. SCREW	0237	& ON	02
			B0379	& ON	
97	NAS43HT3-13	. SPACER			02
98	MS21044N3	. NUT			02
99	35S7D5175-21	. DEICER MLG FAIRING-LH	V03481		01
- 99A	P35S-7D5175-21	. DEICER MLG FAIRING-LH ALT FOR 35S7D5175-21	V0AJJ0		01
- 100	35S7D5175-22	. DEICER MLG FAIRING-RH	V03481		01
- 100A	P35S-7D5175-22	. DEICER MLG FAIRING-LH ALT FOR 35S7D5175-22	V0AJJ0		01
101	2670123-1	. RELAY ASSY-DEICE SYSTEM			01
		ATTACHING PARTS			
102	MS35206-230	. SCREW			02
103	NAS1149FN616P	. WASHER			02
104	MS21044N06	. NUT			02
		—*—			

NOTE 1—AIRPLANES -0338 & ON AND AIRPLANES B0897 & ON AND AIRPLANES -0001 THRU -0337 AND B0001 THRU B0896 INCORPORATING CAB03-5.

CESSNA®
MODEL 208
 ILLUSTRATED PARTS CATALOG

A24938



CARGO POD AND LANDING GEAR DEICE SYSTEM
 FIGURE 02 (SHEET 1)

2614T4001A
 B2614T2046A
 B2614T2046A

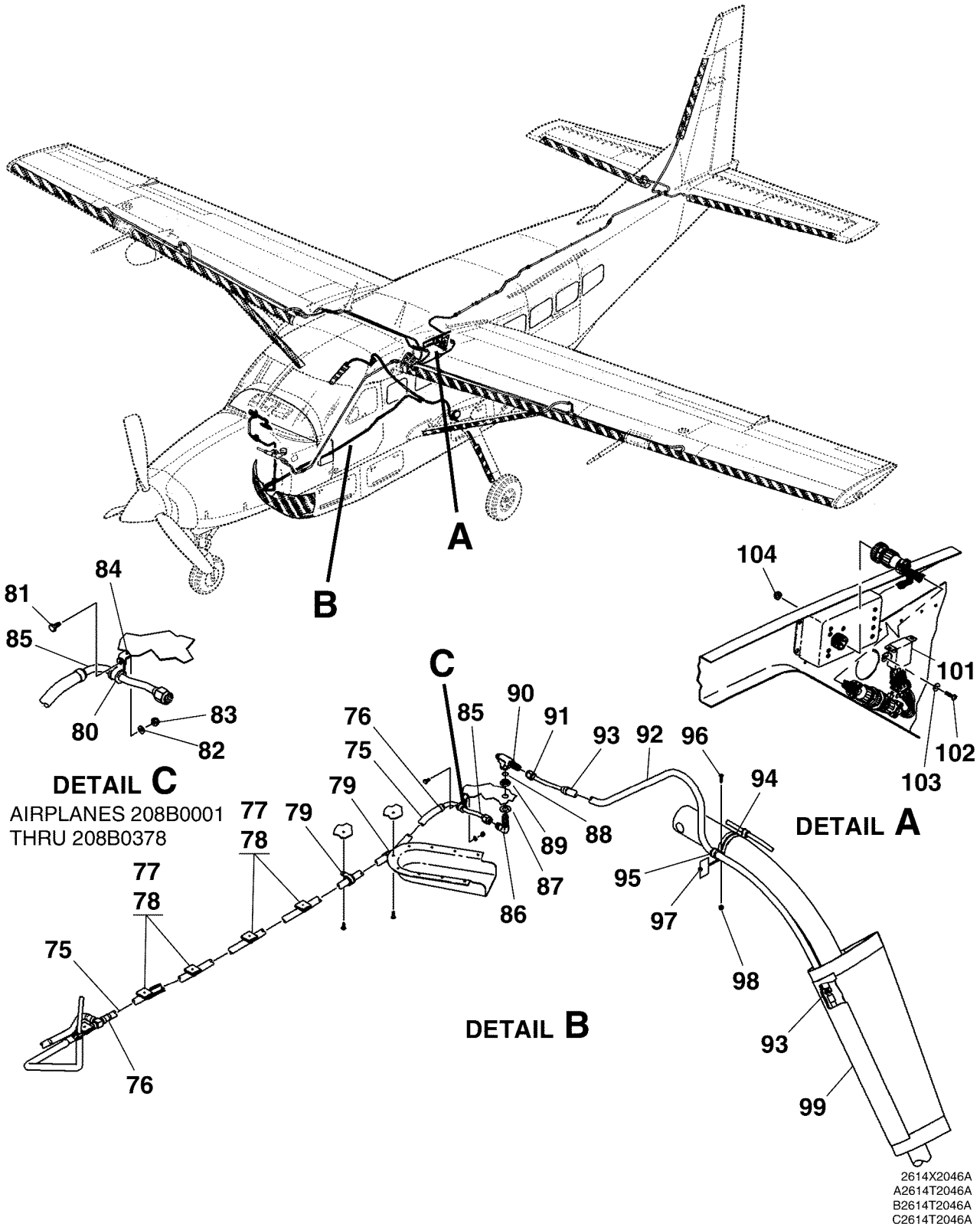
CESSNA®
MODEL 208
ILLUSTRATED PARTS CATALOG

FIG ITEM	PART NUMBER	NOMENCLATURE	1 2 3 4 5 6 7							UNITS PER ASSY	
02		CARGO POD AND LANDING GEAR DEICE SYSTEM REFER TO NOTE 1								B0328 & ON	RF
-		. DEICE SYSTEM REFER TO 30-10-00 FIGURE 02									RF
1		. LINE ASSY TO PRESSURE REGULATOR									01
2	2600103-1	. LINE ASSY TO VACUUM REGULATOR & EJECTOR									01
3	2600103-5	. TEE									01
4	AN783D10	. ELBOW									01
5	AN833-10D	. NUT									01
6	AS5178W10	. PACKING									01
7	MS28778-10	. LINE ASSY									01
8	2600103-2	. VALVE-DEICE								V03481	01
9	3D2353-06	. ATTACHING PARTS									
10	AN3-5A	. BOLT									02
-		. DELETED-NOT USED									
11		. WASHER									02
12	NAS1149F0332P	. MOUNTING PLATE									01
13	2601438-1	. ATTACHING PARTS									
14	MS24694-S50	. SCREW									01
15	NAS1149F0332P	. WASHER									01
16	MS21044N3	. NUT									01
17	2600103-3	. LINE ASSY									01
18	1D1470-15	. PRESSURE SWITCH-DEICE SYSTEM								V03481	01
-		. DELETED-NOT USED									
19		. PRESSURE SWITCH BLOCK									01
20	2601062-1	. REDUCER									01
21	AS5174D0806	. REDUCER									01
22	AS5174D1008	. PACKING									02
23	MS28778-8	. LINE ASSY									01
24	2600103-4	. CLAMP									01
25	MS21919WDG6	. ATTACHING PARTS									
26	AN3-15A	. BOLT									01
27	NAS43HT3-64	. SPACER									01
28	S2632-1	. HOSE 15.00 IN LG BKI									01
29	S2357-1	. ATTACHING PARTS									
30	S2632-1	. CLAMP-HOSE									02
31	S2357-1	. HOSE 11.00 IN LG BKI									01
32	1K14-6-6-6	. ATTACHING PARTS									
-		. CLAMP-HOSE									02
33		. TEE								V26433	01
34	29S7D5175-15	. DELETED-NOT USED									
34A	29S-7D5175-20	. DE-ICER-CARGO POD								V03481	01
35	2650026-5	. DE-ICER-CARGO POD ALT FOR 29S7D5175-15								V0AJJ0	01
36	MS21919WDG6	. BRACKET									01
37	MS35207-263	. CLAMP									01
38	MS21083N3	. ATTACHING PARTS									
39	MS21919WDG6	. SCREW									01
40	MS21919WDG8	. NUT									01
41	MS35207-264	. CLAMP									01
42	MS21083N3	. CLAMP									01

NOTE 1—AIRPLANES -B0328 & ON AND AIRPLANES -B0001 & ON INCORPORATING SK208-6.

CESSNA®
MODEL 208
 ILLUSTRATED PARTS CATALOG

A24940



CARGO POD AND LANDING GEAR DEICE SYSTEM
 FIGURE 02 (SHEET 2)

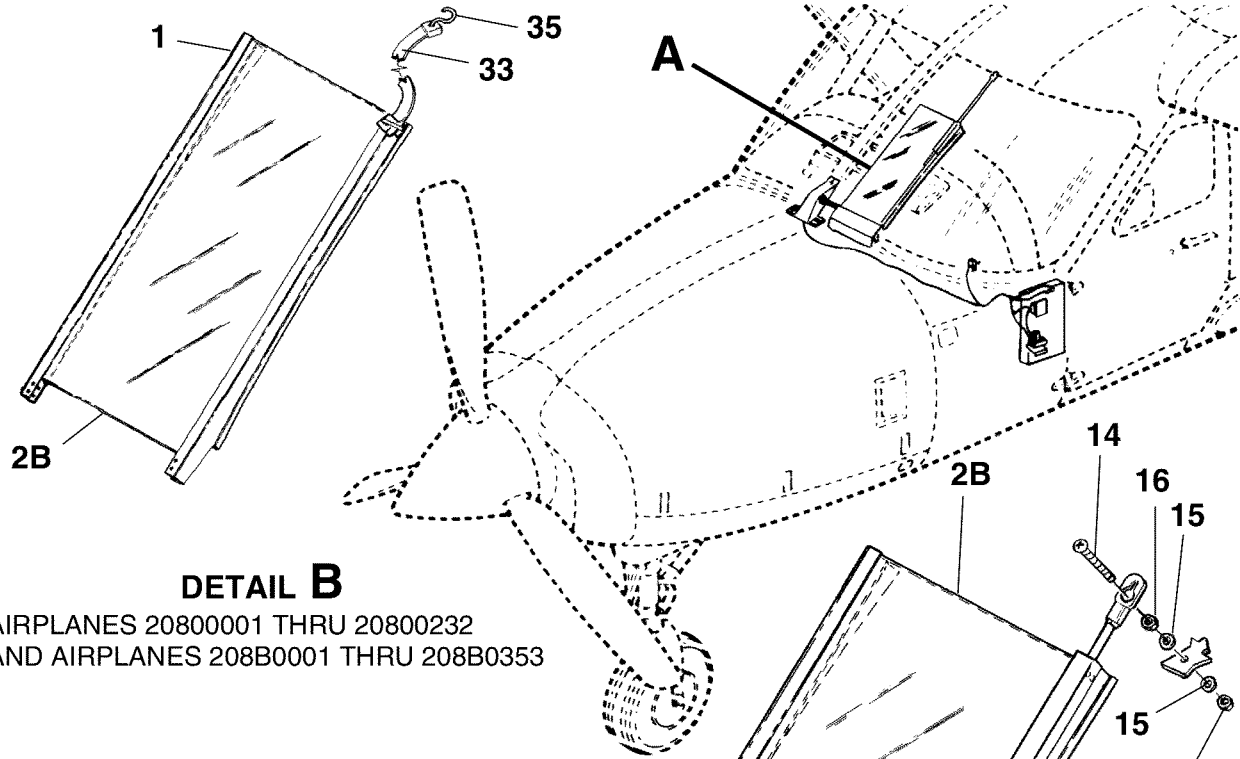
CESSNA®
MODEL 208
ILLUSTRATED PARTS CATALOG

FIG ITEM	PART NUMBER	NOMENCLATURE	UNITS		
			1	2	PER ASSY
02					
75	S2632-1	. HOSE 107.00 IN LG BKI	B0001	B0378	01
- 75A	S2632-1	. HOSE 132.00 IN LG BKI	B0379	& ON	01
		ATTACHING PARTS			
76	S2357-1	. CLAMP-HOSE			02
		—*—			
77	S2606-2	. MOUNT			AR
78	MS3367-1-9	. STRAP			AR
79	MS21919DG10	. CLAMP	B0001	B0378	02
80	MS21919DG6	. CLAMP	B0001	B0378	01
		ATTACHING PARTS			
81	AN3-3A	. BOLT	B0001	B0378	01
82	NAS1149F0332P	. WASHER	B0001	B0378	01
83	MS21044N3	. NUT	B0001	B0378	01
		—*—			
84	AN743-13	. BRACKET	B0001	B0378	01
85	2600103-6	. LINE ASSY	B0001	B0378	01
- 85A	2600103-7	. LINE ASSY	B0379	& ON	01
86	AN833-6D	. ELBOW			01
87	NAS1149F0963P	. WASHER			01
88	MS28778-6	. PACKING			01
89	AN924-6D	. NUT ALT FOR AS5178W06			02 R
- 89A	AS5178W06	. NUT ALT FOR AN924-6D			02 R
90	AN783D6	. TEE			01
91	2600103-7	. LINE ASSY			02
92	S2632-1	. HOSE 55.00 IN LG BKI			02
		ATTACHING PARTS			
93	S2357-1	. CLAMP P-HOSE			02
		—*—			
94	MS21919WCG40	. CLAMP			02
95	MS21919DG10	. CLAMP			02
96	AN520-10R11	. SCREW			02
97	NAS43HT3-13	. SPACER			02
98	MS21044N3	. NUT			02
99	35S7D5175-21	. DEICER MAIN GEAR FAIRING LH	V03481		01
- 99A	P35S-7D5175-21	. DEICER MAIN GEAR FAIRING LH ALT FOR 35S7D5175-21	V0AJJ0		01
- 100	35S7D5175-22	. DEICER MAIN GEAR FAIRING RH	V03481		01
- 100A	P35S-7D5175-22	. DEICER MAIN GEAR FAIRING RH ALT FOR 35S7D5175-22	V0AJJ0		01
101	2670123-1	. RELAY ASSY-DEICE SYSTEM			01
		ATTACHING PARTS			
102	MS35206-230	. SCREW			02
103	NAS1149FN616P	. WASHER			02
104	MS21044N06	. NUT			02
		—*—			

- ITEM NOT ILLUSTRATED

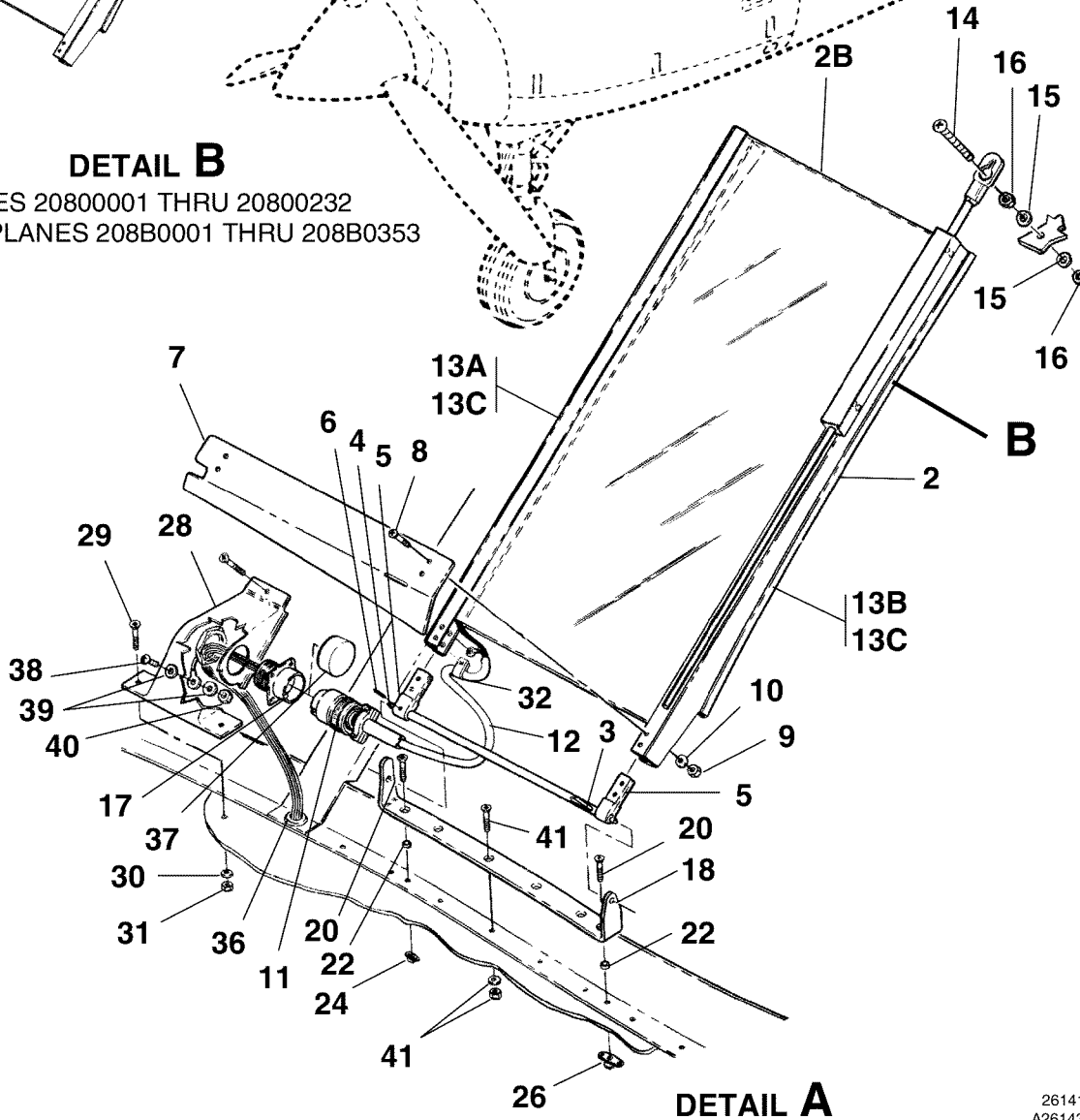
CESSNA®
MODEL 208
 ILLUSTRATED PARTS CATALOG

A24939



DETAIL B

AIRPLANES 20800001 THRU 20800232
 AND AIRPLANES 208B0001 THRU 208B0353



DETAIL A

WINDSHIELD ANTI-ICE INSTALLATION
 FIGURE 01 (SHEET 1)

26141029A
 A26143003B
 B26143003A

**CESSNA®
MODEL 208
ILLUSTRATED PARTS CATALOG**

FIG ITEM	PART NUMBER	NOMENCLATURE	UNITS PER ASSY		
			1	2	3
01		WINDSHIELD ANTI-ICE INSTALLATION	0001	0381	RF
-			B0001	B1087	
1	2601058-3	. PANEL ASSY-WINDSHIELD ANTI-ICE FSO 2601445-1 REFER TO NOTE 1 . . .	0001	0232	NP
			B0001	B0353	
2	2601445-1	. PANEL ASSY-WINDSHIELD ANTI-ICE REFER TO NOTE 1 AND NOTE 2 . . .	0233	0381	01
			B0354	B1087	
- 2A	2601445-10	. . . ROD ASSY	0233	0381	01
			B0354	B1087	
2B	NP165511	. . . GLASS PANEL			01
3	2601055-4	. . . RELEASE ASSY			01
4	2601056-4	. . . PLUNGER FSO 2601056-5	0109	0381	NP
			B0017	B1087	
5	2601080-1	. . . HINGE			02
6	MS16562-6	. . . PIN-HINGE ATTACH			01
7	2601054-1	. . . STOP BRACKET FSO 2601054-2			NP R
- 7A	2601054-2	. . . COVER			01 R
8	MS35206-233	. . . SCREW-STOP BRACKET ATTACH			04
9	MS21044N06	. . . NUT-STOP BRACKET ATTACH			04
10	NAS1149FN616P	. . . WASHER-STOP BRACKET ATTACH			04
11	MS3476W14-5P	. . . CONNECTOR			01
12	M23053/5-106-0	. . . SLEEVING-WIRE 6.70 IN LG			01
- 13	2601445-13	. . . SPACER			06
13A	2601445-2	. . . FRAME ASSY-INBOARD			01
13B	2601445-3	. . . FRAME ASSY-OUTBOARD			01
13C	S202R1840B	. . . CHANNEL BKI			02
14	MS35207-268	. . . SCREW REFER TO NOTE 2	0233	& ON	01
			B0354	& ON	
15	NAS1149D0363H	. . . WASHER REFER TO NOTE 2	0233	& ON	02
			B0354	& ON	
16	MS21044N3	. . . NUT REFER TO NOTE 2	0233	& ON	02
			B0354	& ON	
17	S2654-11	. . . CONNECTOR			01
18	2601059-1	. . . ATTACH BRACKET FSO 2601229-2	0001	0010	NP
- 18A	2601229-2	. . . ATTACH BRACKET			01
- 19	2601229-1	. . . ATTACH BRACKET FSO 2601229-201	0011	0381	NP
			B0001	B1087	
- 19A	2601229-201	. . . ATTACH BRACKET			01
20	MS35206-231	. . . SCREW-ATTACH BRACKET ATTACH	0001	0010	02
- 21	NAS220-10	. . . SCREW-ATTACH BRACKET ATTACH	0011	0381	02
			B0001	B1087	
22	NAS43DD1-8N	. . . SPACER-ATTACH BRACKET ATTACH	0001	0010	02
- 23	NAS43DD3-8N	. . . SPACER-ATTACH BRACKET ATTACH	0011	0381	02
			B0001	B1087	
24	NAS697A06	. . . NUTPLATE-ATTACH BRACKET ATTACH	0001	0010	01
- 25	MS21051L08	. . . NUTPLATE-ATTACH BRACKET ATTACH	0011	0381	01 R
			B0001	B1087	
26	MS21047L06	. . . NUTPLATE-ATTACH BRACKET ATTACH	0001	0010	01
- 27	MS21047L08	. . . NUTPLATE-ATTACH BRACKET ATTACH	0011	0381	01
			B0001	B1087	
28	2601060-3	. . . COVER ASSY-CONNECTOR			01
29	MS24694-S52	. . . SCREW-COVER ASSY ATTACH			02
30	NAS1149D0363H	. . . WASHER-COVER ASSY ATTACH			02
31	MS21044N3	. . . NUT-COVER ASSY ATTACH			02
32	MS21919WDG5	. . . CLAMP			01
33	9RY78141	. . . RUBBER TIE DWN STRAP FSO 39911	V53800	0001	0147
			B0001	B0160	
- 34	39911	. . . TIE DOWN STRAP	0148	0232	01
			B0161	B0353	
35	2601232-1	. . . HOOK-TIE DOWN STRAP	0001	0232	01
			B0001	B0353	
36	S1291-4	. . . GROMMET			01
37	MS3181-14C	. . . COVER-CONNECTOR	0109	0381	01
			B0017	B1087	
38	MS35206-228	. . . SCREW GROUND WIRE ATTACH	0109	0381	01
			B0017	B1087	
39	NAS1149FN616P	. . . WASHER GROUND WIRE ATTACH	0109	0381	01
			B0017	B1087	
40	MS21044N06	. . . NUT GROUND WIRE ATTACH	0109	0381	01
			B0017	B1087	
41		. . . RETAINER ATTACHING PARTS REFER TO 56-10-00 FIGURE 01			RF

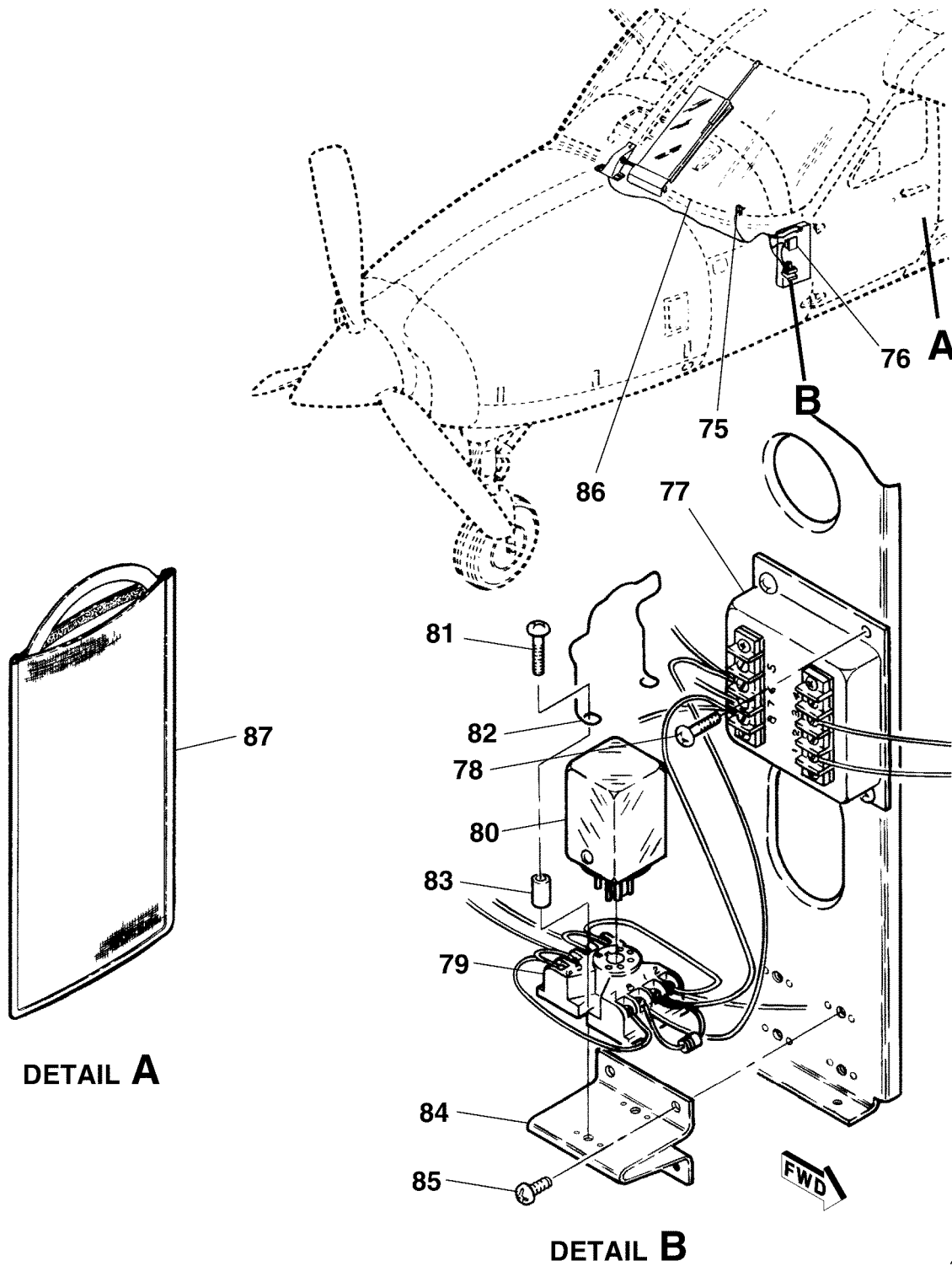
NOTE 1—WHEN INITIALLY ORDERING THIS PART FOR AIRCRAFT 0001 THRU 0108 AND B0001 THRU B0016 ALSO ORDER SK208-39.

NOTE 2—AIRPLANES -0233 AND ON AND -B0354 AND ON AND -0001 THRU -0232 AND -B0001 THRU -B0353 INCORPORATING SK208-113.

- ITEM NOT ILLUSTRATED

CESSNA®
MODEL 208
ILLUSTRATED PARTS CATALOG

A24941



WINDSHIELD ANTI-ICE INSTALLATION
FIGURE 01 (SHEET 2)

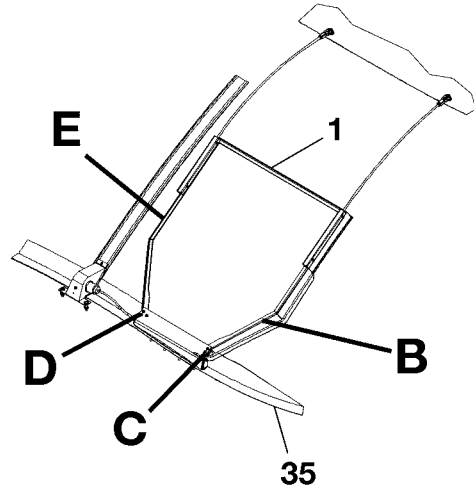
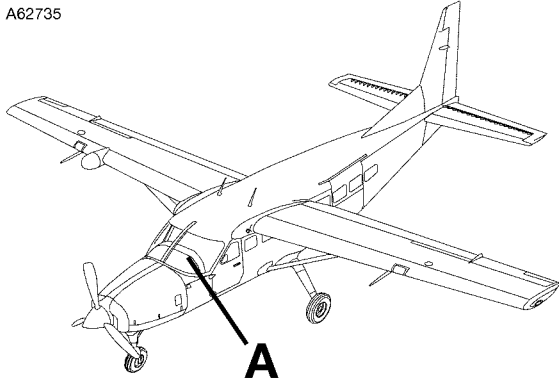
26141029A
A26141027
B26141026

CESSNA®
MODEL 208
ILLUSTRATED PARTS CATALOG

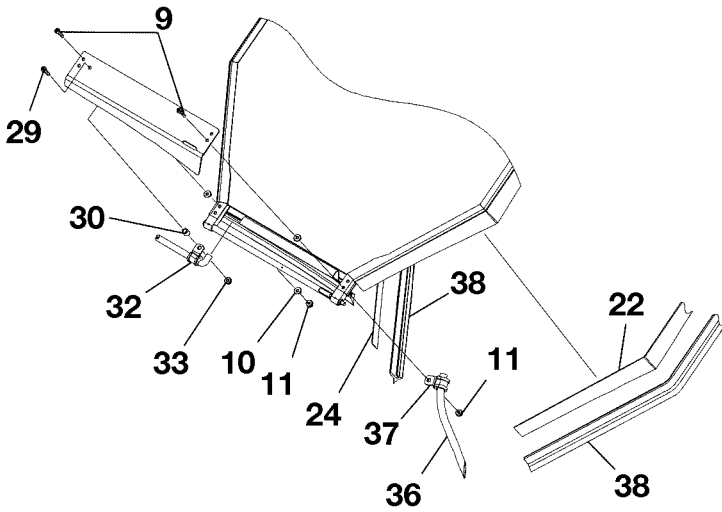
FIG ITEM	PART NUMBER	NOMENCLATURE	UNITS		
			PER	ASSY	
01					
75		. SWITCH REFER TO 24-50-00 FIGURE 01			RF
76		. CIRCUIT BREAKER REFER TO 24-50-01 FIGURE 02			RF
77	C166065-0101	. TEMP CONTROLLER-WINDSHIELD ANTI-ICE ATTACHING PARTS			01
78	MS35207-262	. SCREW —*—			04
79	27E122	. BASE V77342			01
80	KRP3DH	. RELAY V77342 ATTACHING PARTS			01
81	MS35206-230	. SCREW			02
82	20C206	. RETAINER-SPRING V77342			01
83	NAS43DD1-34N	. SPACER			01
- 83A	NAS43DD1-34FC	. SPACER ALT FOR NAS43DD1-34N —*—			01
84	2601049-2	. BRACKET ASSY-MOUNTING RELAY FSO 2601049-3	0001	0094	NP
- 84A	2601049-3	. BRACKET ASSY-MOUNTING RELAY	0095	0381	01
			B0001	B1087	
		ATTACHING PARTS			
85	MS35206-227	. SCREW —*—			04
86		. WINDSHIELD REFER TO 56-10-00 FIGURE 01			RF
87	2601110-1	. STORAGE CASE ASSY-WINDSHIELD DEICE PANEL			01

CESSNA®
MODEL 208
 ILLUSTRATED PARTS CATALOG

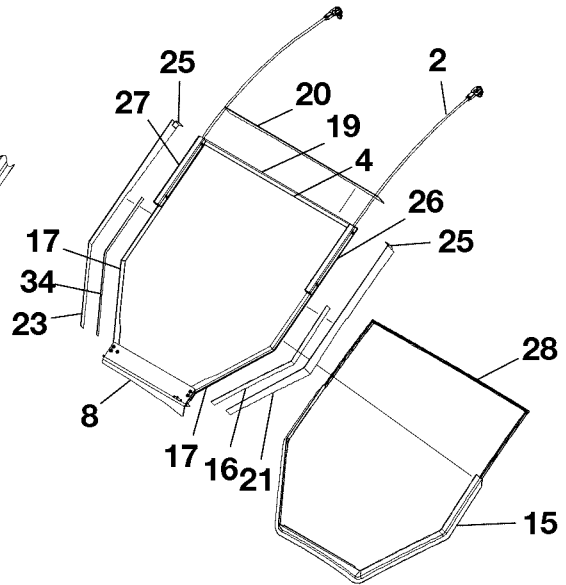
A62735



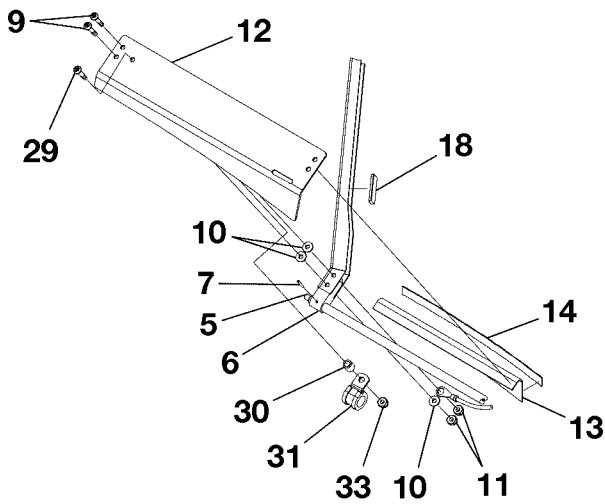
DETAIL A



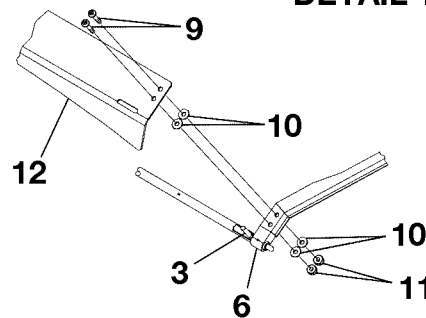
DETAIL E



DETAIL B



DETAIL D



DETAIL C

2610T7005
 A2614T1383
 B2614T1383
 C2614T1383
 D2614T1383
 E2617T1383

WINDSHIELD ANTI-ICE INSTALLATION
 FIGURE 02 (SHEET 1)

CESSNA®
MODEL 208
ILLUSTRATED PARTS CATALOG

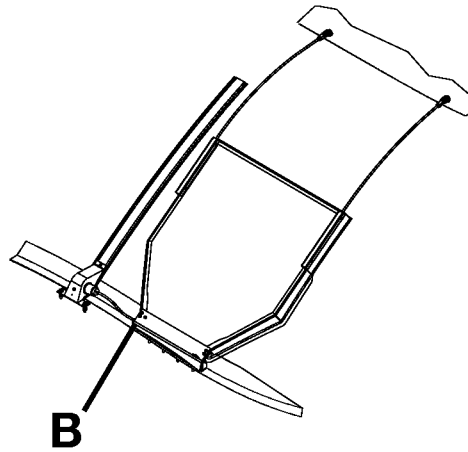
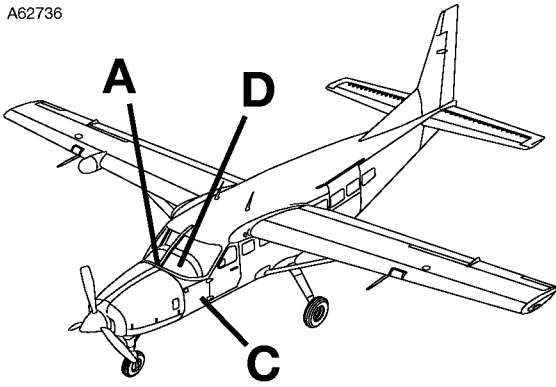
FIG ITEM	PART NUMBER	NOMENCLATURE	UNITS PER ASSY		
			1	2	3
02		WINDSHIELD ANTI-ICE INSTALLATION			
-			0382	0499	RF
			B1088	B1999	
1	2601488-30	. PANEL ASSY-FSO 2601488-48 REFER TO NOTE 1			NP
- 1A	2601488-48	. PANEL ASSY-SPARES ONLY			01
2	2601445-19 ROD ASSY			02
3	2601055-4 RELEASE ASSY			01
4	NP-165521 GLASS PANEL V53117			01
5	2601056-5 PLUNGER			01
6	2601080-1 HINGE			02
7	MS16562-6 PIN-HINGE ATTACH			01
8	2601488-36 LOWER COVER ASSY			01
9	MS35206-232 SCREW-LOWER COVER ASSEMBLY ATTACH			05
10	NAS1149FN632P WASHER-LOWER COVER ASSEMBLY ATTACH			07
11	MS21044N06 NUT-LOWER COVER ASSEMBLY ATTACH			04
12	2601054-2 COVER			01
13	2601488-45 LOWER SKIRT			01
14	2601488-46 LOWER RETAINER			01
15	2601488-35 LOWER SEAL			01
16	2601488-33 LH RETAINER			01
17	2601488-37 FRAME WELD ASSY			02
18	2601445-13 SPACER			09
19	2601488-38 FRAME-TOP			01
20	2601488-39 TOP SKIRT			01
21	2601488-31 LH SKIRT			01
22	2601488-49 LH SKIRT USED WITH 2601488-48 PANEL ASSY			01
23	2601488-32 RH SKIRT			01
24	2601488-50 RH SKIRT USED WITH 2601488-48 PANEL ASSY			01
25	2601488-40 CORNER BRACKET			02
26	2601488-41 LH SPRING GUIDE ASSY			01
27	2601488-42 RH SPRING GUIDE ASSY			01
28	CM3888-4 RUBBER			AR
29	MS35206-232 SCREW			01
30	NAS43DD3-20FC SPACER			01
31	MS21919WDG7 CLAMP			01
32	MS21919WDG6 CLAMP USED WITH 2601488-48 PANEL ASSY			01
33	MS21044N06 NUT			01
34	2601488-34 RH RETAINER			01
35	2613125-3 RETAINER			01
36	2601488-51 DRAIN TUBE USED WITH 2601488-48 PANEL ASSY			01
37	MS21919WDG5 CLAMP USED WITH 2601488-48 PANEL ASSY			01
38	S4059-1 SEAL USED WITH 2601488-48 PANEL ASSY			AR

NOTE 1—AIRPLANES -0382 THRU -0499 AND -B1088 THRU -B1999 AND AIRPLANES -0001 THRU -0381 AND -B0001 THRU -B1087
 INCORPORATING SK208-146.

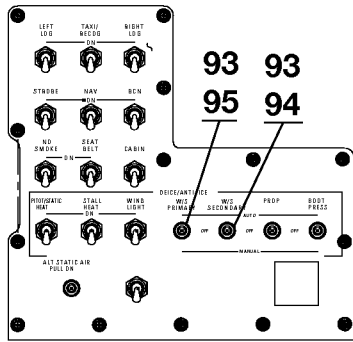
R

CESSNA®
MODEL 208
 ILLUSTRATED PARTS CATALOG

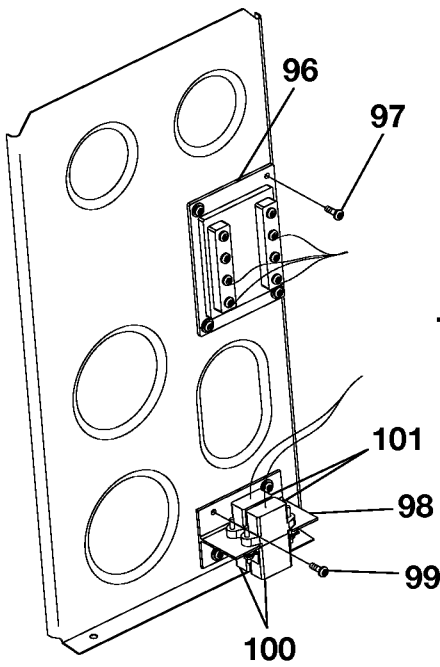
A62736



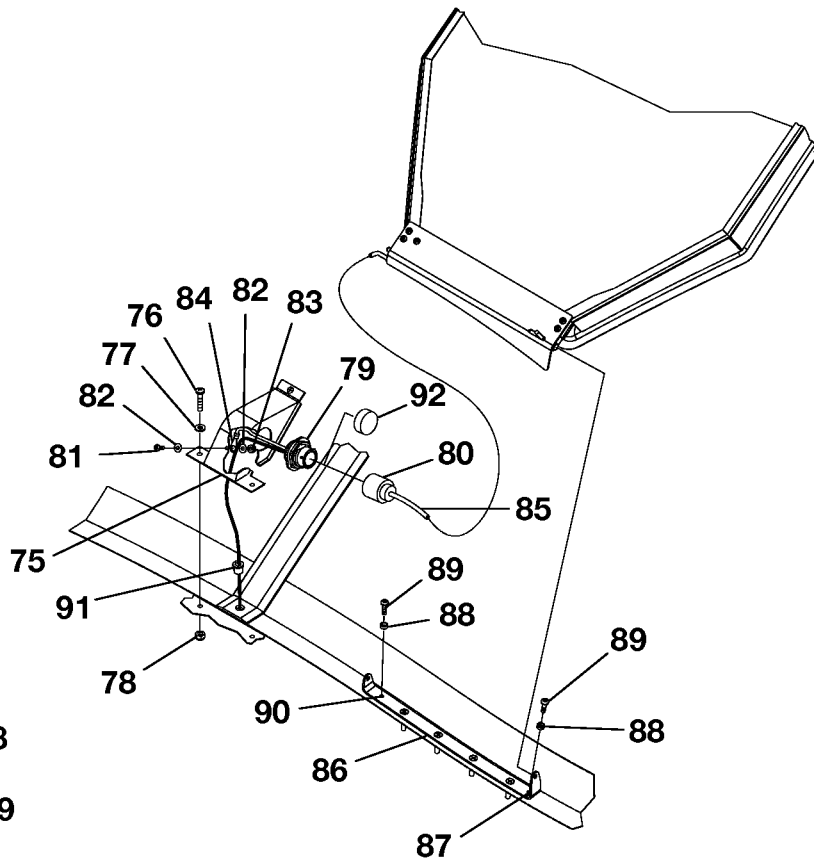
DETAIL A



DETAIL D



DETAIL C



DETAIL B

WINDSHIELD ANTI-ICE INSTALLATION
 FIGURE 02 (SHEET 2)

2610T7005
 A2614T1383
 B2614T1384
 C2614T1385
 D2614T1373

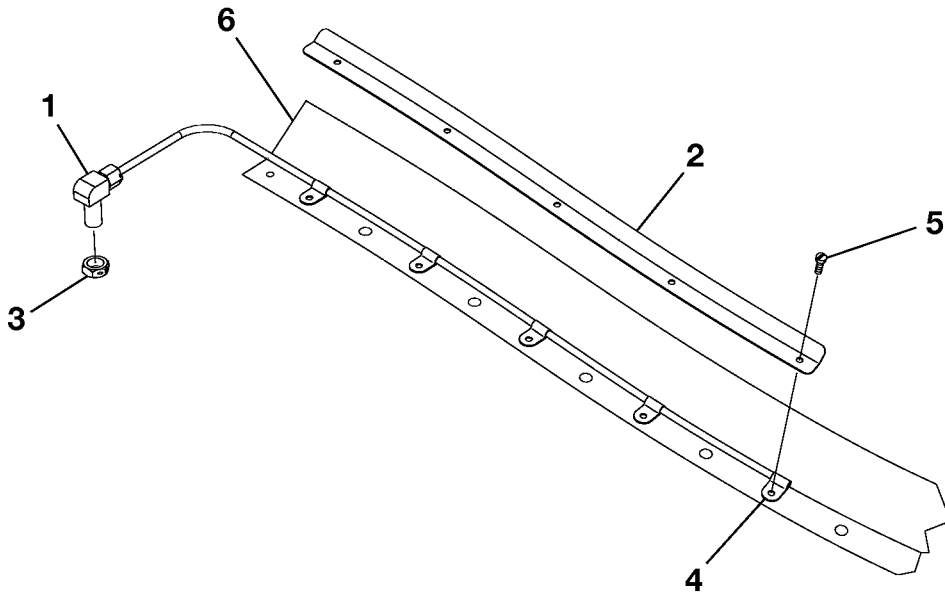
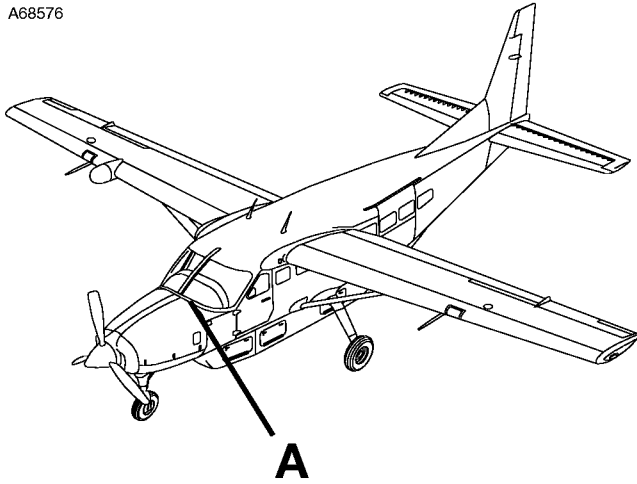
CESSNA®
MODEL 208
 ILLUSTRATED PARTS CATALOG

FIG ITEM	PART NUMBER	NOMENCLATURE	UNITS
			PER ASSY
		1 2 3 4 5 6 7	
02			
75	2601060-3	. COVER ASSY REFER TO NOTE 1	01
		. ATTACHING PARTS	
76	AN509-10R10	. SCREW	02
77	NAS1149D0363H	. WASHER	02
78	MS21044N3	. NUT	02
		—*—	
79	MS3474L14-12S	. CONNECTOR	01
80	MS3476L14-12P	. PLUG	01
81	MS35206-228	. SCREW	01
82	NAS1149FN616P	. WASHER	02
83	MS21044N06	. NUT	01
84	S1367-1-6	. TERMINAL	01
85	M23053/5-107-0	. SLEEVING	AR
86	2601229-1	. ATTACH BRACKET FSO 2601229-201	NP
- 86A	2601229-201	. ATTACH BRACKET	01
		. ATTACHING PARTS	
87	MS21047L08	. NUTPLATE	01
88	NAS43DD3-8N	. SPACER	02
89	MS27039-0810	. SCREW	02
90	MS21051L08	. NUTPLATE	01
		—*—	
91	S3134-7	. FERRULE	01
92	MS3181-14C	. COVER	01
93	C15GREEN	. GREEN TIP-SWITCH	01
94	MS25306-312	. SWITCH	01
95	MS25307-312	. SWITCH	01
96	C166065-0101	. TEMPERATURE CONTROLLER	01
97	MS35206-262	. SCREW	04
98	2601478-2	. RELAY BRACKET	01
		. ATTACHING PARTS	
99	MS35206-229	. SCREW	04
		—*—	
100	JC-D4N	. RELAY	01
101	S3193-1	. RELAY SOCKET	01
- 102	S3106-4	. DIODE ASSY	02
- 103	2601485-7	. STORAGE CASE ASSY	01

NOTE 1—AIRPLANES -0382 THRU -0499 AND -B1088 THRU -B1999 AND AIRPLANES -0001 THRU -0381 AND -B0001 THRU -B1087 INCORPORATING SK208-146.

CESSNA®
MODEL 208
ILLUSTRATED PARTS CATALOG

A68576



DETAIL A

TKS WINDSHIELD SPRAYBAR INSTALLATION
FIGURE 01 (SHEET 1)

2610T7004
A2614T1401

CESSNA®
MODEL 208
 ILLUSTRATED PARTS CATALOG

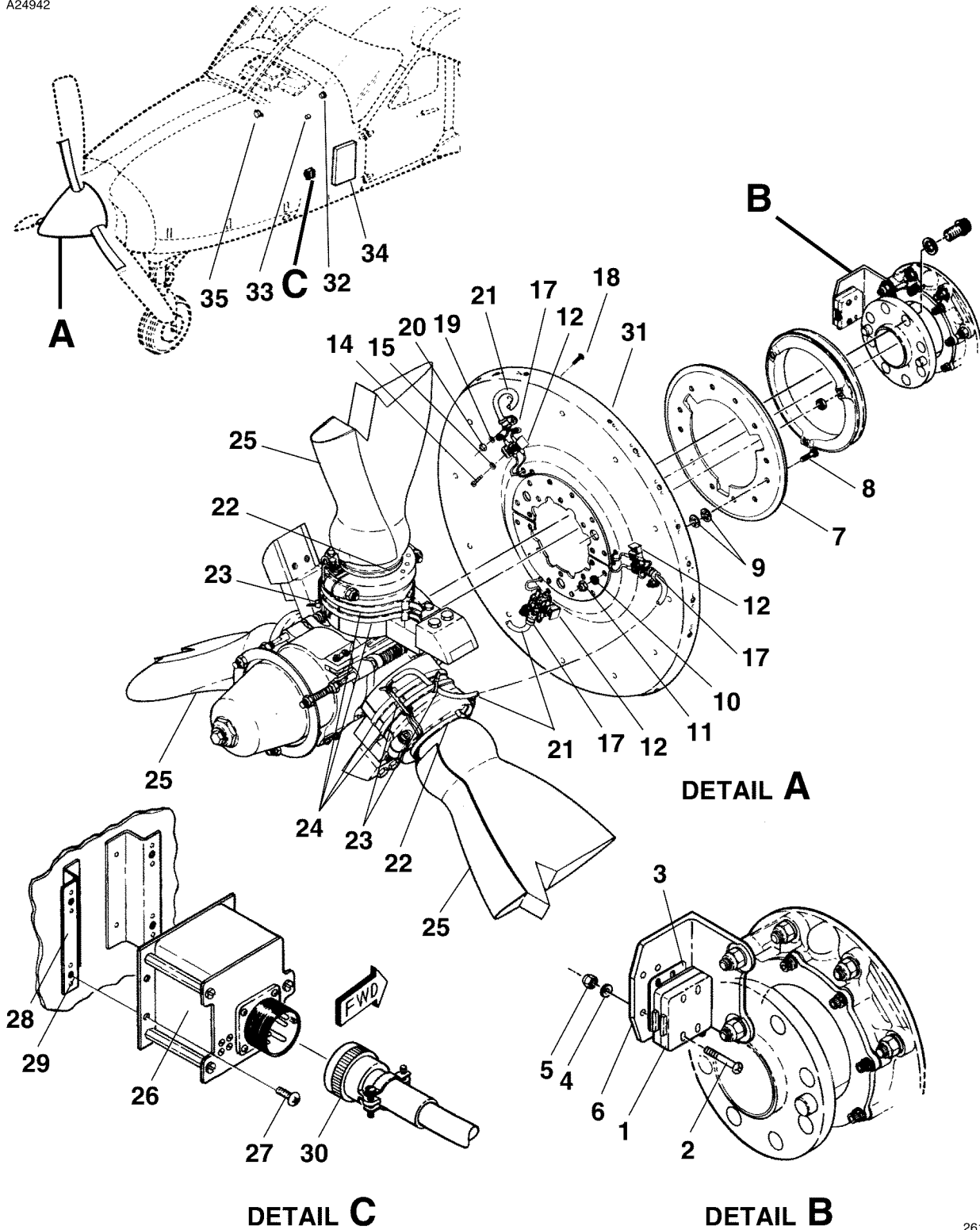
FIG ITEM	PART NUMBER	NOMENCLATURE	UNITS PER ASSY			
			1	2	3	4
01		TKS WINDSHIELD SPRAYBAR INSTALLATION REFER TO NOTE 1				
-					0505 & ON B2000 & ON	RF R
1	13124-01	. SPRAYBAR ASSY			VK5788	01
2	13124-03	. DEFLECTOR			VK5788	01
		ATTACHING PARTS				
3	ZN6756	. BACKNUT			VASTL	01
4	13132-10	. P-CLIP			VASTL	05
5	MS35275-245	. SCREW				05
		—*—				
6		. WINDSHIELD RETAINER-LOWER REFER TO 56-10-00 FIGURE 01				RF

NOTE 1—THIS FIGURE CONTAINS PRODUCTION PARTS AND ASSEMBLIES INSTALLED WITH THE TKS AND/OR LOW AIRSPEED AWARENESS (LAA) SYSTEMS. TO ORDER PARTS FOR SERIAL SPECIFIC CONFIGURATIONS/INSTALLATIONS MODIFIED BY SK208-174, SK208-175, SK208-179, SK208-180, CAB09-9, AND CAB08-7, PLEASE REFER TO THE LATEST APPLICABLE REVISION OF THE SPECIFIC CARAVAN BULLETIN (CAB) AND/OR SERVICE KIT (SK) FOR DETAILED INFORMATION.

R

CESSNA®
MODEL 208
 ILLUSTRATED PARTS CATALOG

A24942



PROPELLER DEICE INSTALLATION - HARTZELL
 FIGURE 01 (SHEET 1)

26141152
 A26142049
 B26141125
 C26141028

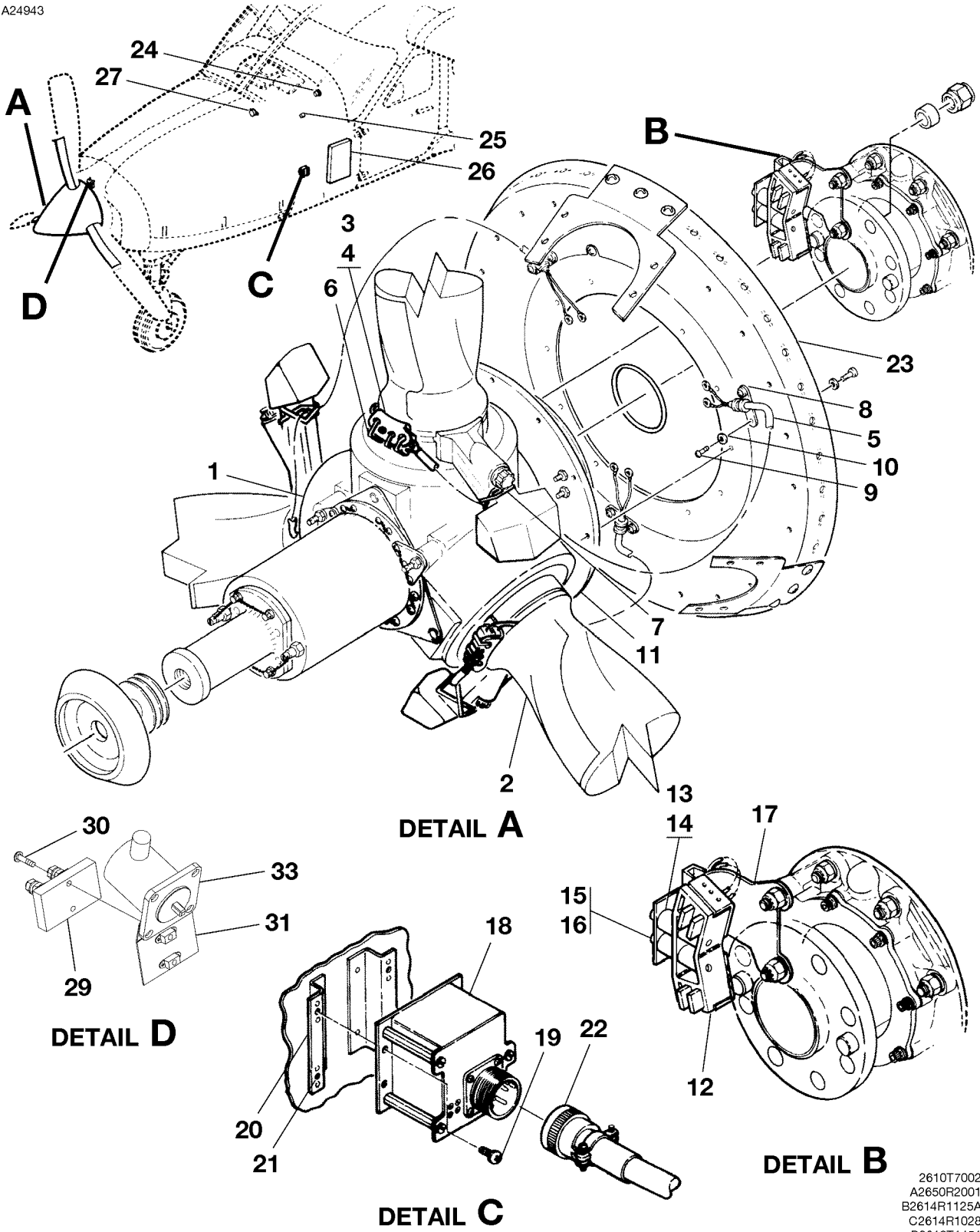
CESSNA®
MODEL 208
ILLUSTRATED PARTS CATALOG

FIG ITEM	PART NUMBER	NOMENCLATURE	UNITS PER ASSY		
			1	2	3
01		PROPELLER DEICE INSTALLATION - HARTZELL REFER TO NOTE 1			
-			0001	0188	RF R
			B0001	B0217	
1	3E2090-1	. MODULAR BRUSH ASSY-PROPELLER DEICE V03481			01
		. ATTACHING PARTS			
2	MS51957-50	. SCREW			02
3	1E1157	. SHIM V03481			01
4	NAS1149CN832R	. WASHER			02
5	MS21045-08	. NUT			02
		. *—			
6	3E2237	. MOUNTING BRACKET-MODULAR BRUSH ASSY V03481			01
7	4E2551-1	. SLIP RING ASSY V03481			01
		. ATTACHING PARTS			
8	1/4-28UNF-3AX7/8	. SCREW-BUTTON HD SOCKET V03481			12
9	4M52	. WASHER-BELLEVILLE V03481			24
10	NAS1149C0432R	. WASHER			12
11	H10-4	. NUT V15653			12
		. *—			
12	1E1150-3	. TERMINAL BLOCK V03481			03
- 13	3E2259	. BRACKET-OVERSPARK V03481			03
		. ATTACHING PARTS			
14	AN500AD6-14	. SCREW			02
15	MS35338-41	. WASHER			02
- 16	A6-120	. RIVNUT			02
		. *—			
17	MS21104D4	. CLAMP			03
		. ATTACHING PARTS			
18	AN525-832-10	. SCREW			01
19	NAS1149CN832R	. WASHER			01
20	MS21045-08	. NUT			01
		. *—			
21	3E2092-2	. WIRE HARNESS-PROPELLER DEICE V03481			03
22	MS3367-2-9	. TIE STRAP			03
23	MS3367-5-9	. TIE STRAP			06
24	MS3367-6-9	. TIE STRAP			06
25	4E2336-12	. BOOT-PROPELLER DEICE V03481			03
26	3E2205-4	. TIMER-PROPELLER DEICE V03481			01
		. ATTACHING PARTS			
27	MS35207-262	. SCREW			02
		. *—			
28	2601118-2	. BRACKET ASSY			02
29	MS21047L3	. NUTPLATE			02
30	MS3456W20-22S	. PLUG			01
31		. BULKHEAD ASSY-SPINNER REFER TO 61-11-00 FIGURE 01			RF
32		. AMMETER-PROP DEICE REFER TO 31-00-00 FIGURE 01			RF
33		. SWITCH-PROP DEICE REFER TO 24-50-00 FIGURE 01			RF
34		. CIRCUIT BREAKER REFER TO 24-50-01 FIGURE 01			RF
35	2670069-3	. VARISTOR ASSY-METAL OXIDE FSO 2601048-201			NP
- 35A	2601048-201	. VARISTOR ASSY-METAL OXIDE			01
		. ATTACHING PARTS			
- 36	MS35207-261	. SCREW			02
		. *—			

NOTE 1—NOT INCORPORATING CAB90-20

CESSNA®
MODEL 208
 ILLUSTRATED PARTS CATALOG

A24943



PROPELLER DEICE INSTALLATION - MCCAULEY
 FIGURE 02 (SHEET 1)

2610T7002
 A2650R2001
 B2614R1125A
 C2614R1028
 D2618T1451

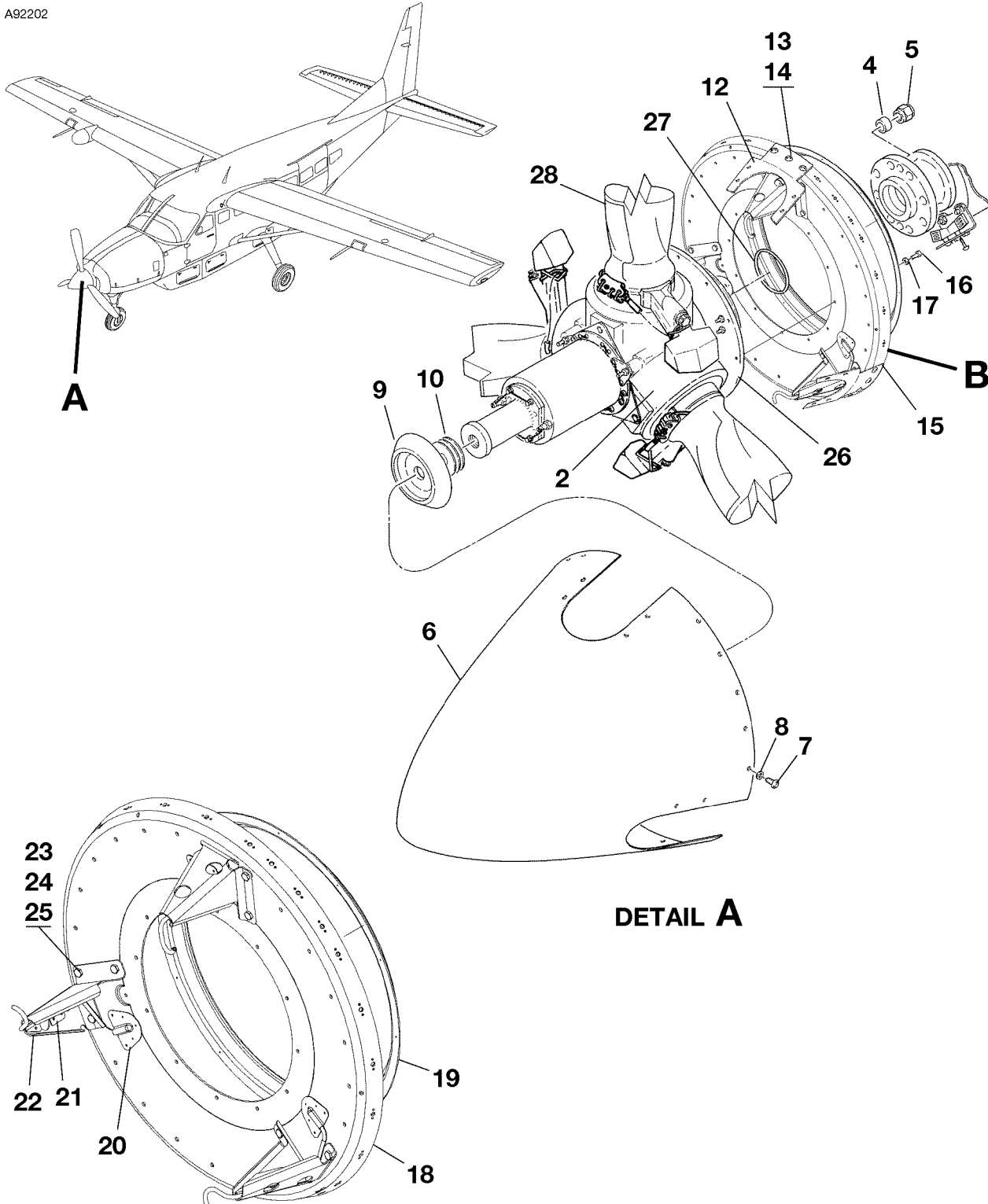
CESSNA®
MODEL 208
ILLUSTRATED PARTS CATALOG

FIG ITEM	PART NUMBER	NOMENCLATURE	UNITS PER ASSY		
			1	2	3
02		PROPELLER DEICE INSTALLATION - MCCAULEY REFER TO NOTE 1	0189	& ON	RF
-			B0218	& ON	
1		. PROPELLER ASSY-DEICE REFER TO 61-11-00 FIGURE 01			RF
2	B40245-54 BOOT-PROPELLER DEICE V76275			03
3	B4971 BRACKET V76275			03
	 ATTACHING PARTS			
4	A1635-5 SCREW V76275			01
		—*—			
5	B40531 WIRE HARNESS-PROPELLER DEICE V76275			03
6	A20360-1 TIE STRAP V76275			12
7	A20360-3 TIE STRAP V76275			06
8	A2873-6 CLAMP-WIRE HARNESS V76275			03
	 ATTACHING PARTS			
9	AN503-8-10 SCREW			01 R
10	NAS1149FN832P WASHER			01
		—*—			
11	D40260 RING ASSY-SLIP-PROPELLER DEICE V76275			01
12	C40257 BRUSH BLOCK ASSY-PROPELLER DEICE V76275			01
	 ATTACHING PARTS			
13	A1635-77 SCREW V76275			02
14	A1638-7 WASHER V76275			02
15	B40024-9 SPACER V76275			02
16	A1638-21 WASHER			AR
		—*—			
17	C40536 BRACKET ASSY-BRUSH BLOCK V76275			01
18	B45052 TIMER-PROPELLER DEICE MECHANICAL FSO C-45133 V76275			NP
- 18A	C45125 TIMER-PROPELLER DEICE SOLID STATE FSO C-45133 V76275	0189	0329	NP
			B0218	B0847	
- 18B	C-45133 TIMER-PROPELLER DEICE SOLID STATE UC011 REFER TO NOTE 3 V76275	0330	& ON	01
			B0848	& ON	
	 ATTACHING PARTS			
19	MS35207-262 SCREW			02
		—*—			
20	2601118-2 BRACKET ASSY			02
21	MS21047L3 NUTPLATE			02
22	MS3456W20-22S PLUG			01
23	 BULKHEAD ASSY-SPINNER REFER TO 61-11-00 FIGURE 01			RF
24	 AMMETER-PROPELLER DEICE REFER TO 31-00-00 FIGURE 01			RF
25	 SWITCH-PROP DEICE REFER TO 24-50-00 FIGURE 01			RF
26	 CIRCUIT BREAKER REFER TO 24-50-01 FIGURE 01			RF
27	2670069-3 VARISTOR ASSY-METAL OXIDE FSO 2601048-201 REFER TO NOTE 2	0189	0253	NP
			B0218	B0547	
- 27A	2601048-201 VARISTOR ASSY-METAL OXIDE REFER TO NOTE 2	0189	0253	01
			B0218	B0547	
- 27B	2670069-6 VARISTOR ASSY-METAL OXIDE	0254	0327	01
			B0548	B0828	
- 27C	2670069-9 VARISTOR ASSY-METAL OXIDE RN002 REFER TO NOTE 4	0328	& ON	01
			B0829	& ON	
	 ATTACHING PARTS			
- 28	MS35207-261 SCREW			02
		—*—			
29	S2558-3 SHUNT ASSY RZ006	0500	& ON	01
			B2000	& ON	
	 ATTACHING PARTS			
30	MS35207-265 SCREW	0500	& ON	02
			B2000	& ON	
		—*—			
31	2670165-3 BRACKET ASSY	0500	& ON	01
			B2000	& ON	
- 32	MS21059L3 NUTPLATE	0500	& ON	02
			B2000	& ON	
33	 TACH GENERATOR REFER TO 77-13-00 FIGURE 01			RF

NOTE 1—AIRPLANES -0189 AND ON AND -B0218 AND ON AND -0001 THRU -0188 AND -B0001 THRU -B0217 INCORPORATING CAB90-20.
NOTE 2—AIRPLANES -0001 THRU -0253 AND -B0001 THRU -B0547, WHEN INITIALLY ORDERING THIS PART, ORDER 2601048-201.
NOTE 3—AIRPLANES -0189 THRU -0329 AND -B0218 THRU -B0847 INCORPORATING CAB00-13
NOTE 4—AIRPLANES -0001 THRU -0327 AND -B0001 THRU -B0828 INCORPORATING CAB00-11

CESSNA®
MODEL 208
 ILLUSTRATED PARTS CATALOG

A92202



DETAIL B

DETAIL A

PROPELLER TKS INSTALLATION - MCCAULEY
 FIGURE 01 (SHEET 1)

2610T7004
 A2650R2001
 B2650T1012

CESSNA®
MODEL 208
ILLUSTRATED PARTS CATALOG

FIG ITEM	PART NUMBER	NOMENCLATURE	UNITS	
			PER	ASSY
01				
-		PROPELLER TKS INSTALLATION - MCCAULEY REFER TO NOTE 1	0505 & ON	RF R
			B1190 B1190	
			B0001 B1999	
			B2000 & ON	
- 1	D-7836	. PROPELLER KIT-C703 TKS STD		01
2	P7036368-0383	. PROPELLER ASSEMBLY-TKS ANTI-ICE SPARES		01
- 2A	P7036368-0483	. TKS & OPTIONAL PAINT SCHEME-FED EX		01 R
- 2B	9910587-206	. TKS & OPTIONAL PAINT SCHEME-FED EX ALT FOR P7036368-0483		01 R
- 3	PL-6396	. SPINNER KIT-C703		01
		ATTACHING PARTS		
4	B5096	. SPACER V76275		08
5	A1639-32	. NUT V76275		08
		—*—		
6	E6389	. SHELL-SPINNER V76275		01
		ATTACHING PARTS		
7	A1635-133	. SCREW V76275		30
8	A1638-8	. WASHER V76275		30
		—*—		
9	B4864	. SUPPORT-SPINNER V76275		01
10	B4940-1	. SHIM-SPINNER SUPPORT V76275		AR
- 11	B4940-2	. SHIM-SPINNER SUPPORT V76275		AR
12	C-6390	. FILLET ASSY V76275		03
		ATTACHING PARTS		
13	A1635-133	. SCREW V76275		03
14	A1638-5	. WASHER V76275		03
		—*—		
15	E-7856	. BULKHEAD ASSY-SPINNER		01
		ATTACHING PARTS		
16	A1635-36	. SCREW V76275		12
17	A1638-20	. WASHER V76275		12
		—*—		
18	E-7844	. BLUKHEAD-SPINNER		01
19	13125-01	. SLINGER RING-PROPELLER VK5788		01
20	13125-07	. FEED TUBE-PROPELLER VK5788		03
21	13125-03	. CLAMPING PLATE VK5788		03
22	13125-05	. BRACKET-PROPELLER NOZZLE VK5788		03
		ATTACHING PARTS		
23	A-2513-104	. BOLT		09 R
24	A-1638-7	. WASHER		09
25	A1639-40	. NUT		09
		—*—		
26	D-6398	. MOUNTING PLATE-BULKHEAD		01
27	A1633-72	. O-RING-HUB TO PROPELLER SHAFT V76275		01
28	C-40323-83	. FEED SHOE-ANTI-ICE		AR

NOTE 1—AIRPLANES -0505 & ON, -B1190, AND -B2000 & ON, AND AIRPLANES -B0001 THRU -B1999 INCORPORATING SK208-174. R